

No. 156 Standpipe (Chrome or Brass)

Our Reference:
3310085006 (Brass)
3310085014 (Chrome)

No. 156 wall type siamese connections, having two individual clapper valves, plugs and chains. Escutcheon lettered "Standpipe" or "Auto-Sprk."

Finish: Polished brass.

Optional: Polished chromium plated (as illustrated).

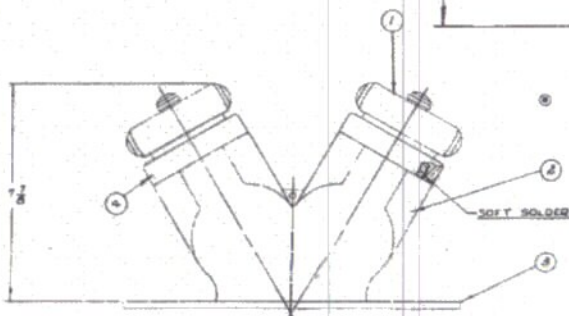
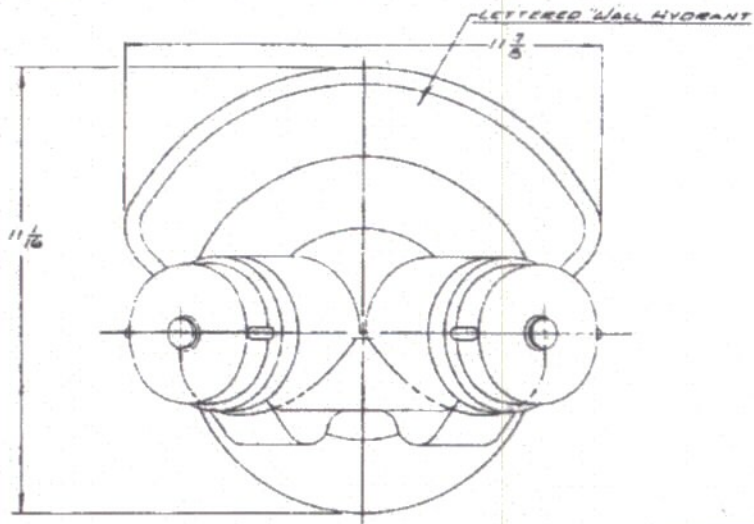
Threads: To local fire department specifications.

Size: 2 1/2" x 2 1/2" x 4" Female NPT (National Pipe Tapered).

Standard Reference:
ANSI/ASME

Dimensions:

Top to bottom 11 1/16"
Left to right 11 7/8"
Back to front 7 7/8"



Supplied by:

MSC FIRE 

Unit D2
Santry Business Park
Swords Road
Dublin 9

Telephone: (01) 8465140
Fax: (01) 831 9228



Main Authorised Angus Distributor