



## Hose reels and cabinets

- Fire hose reels and cabinets
- Riser and extinguisher cabinets
- General purpose hose reels and cabinets
- Wheeled hose reels



# TABLE OF CONTENTS

<b>PRODUCT RANGE</b>	.....	4-5
<b>Wall-mounted hose reels</b>	<b>Painted finish</b> Model 1A fixed, automatic stop valve ..... Model 1SWA swinging, automatic stop valve .....	6 7
<b>Recess-mounted hose reels</b>	<b>Painted finish</b> Model 2SWA swinging, automatic stop valve .....	8
<b>Hose reels and cabinets for recess-mounting or wall-mounting</b>	<b>Painted finish</b> Model 3A automatic stop valve ..... Model 3SWA swinging, automatic stop valve ..... Model 31A vertical combined cabinet with equipment compartment, automatic stop valve ..... Model 31SWA swinging, vertical combined cabinet with equipment compartment, automatic stop valve .....	9 10 11 12
<b>Hose reels and cabinets for recess-mounting</b>	<b>Door and frame brushed stainless steel with further door options</b> Model 3A automatic stop valve ..... Model 3SWA swinging, automatic stop valve ..... Model 31A vertical combined cabinet with equipment compartment, automatic stop valve ..... Model 31SWA swinging, vertical combined cabinet with equipment compartment, automatic stop valve .....	13 14 15 16
<b>Inner box for recess-mounting</b>	EI60 inner box .....	17
<b>Frame for recess-mounting</b>	Trim frame for recess-mounting .....	18
<b>Floor Support Frame</b>	Floor support frame .....	18
<b>Free-standing models for floor-mounting</b>	<b>Painted finish</b> Model 5BRA automatic stop valve ..... Model 5DA automatic stop valve .....	19 20
<b>Hose reels with insulation and heating</b>	<b>Painted finish</b> Model 32 for recess-mounting or wall-mounting in cold rooms ..... Model 36 for wall-mounting outdoors or in corrosive environments .....	21 22
<b>Hose reels for limited water supply</b>	Model 1 junior for wall-mounting ..... Model 3 junior for wall-mounting or recess-mounting .....	23 23
<b>Landing valve cabinet for recess-mounting or wall-mounting</b>	<b>Painted finish</b> Model 3DR ..... Model 3DR Door and frame brushed stainless steel with further door options .....	24 24
<b>Hose reels for the home and garden</b>	Easy and Villa .....	25

<b>Hose reels with foam tank</b>	<b>Painted finish</b>	
	Model 1F for wall-mounting .....	26
	Model 35 in cabinet for wall-mounting .....	27
	Model 39 in cabinet for mounting outdoors or in corrosive environment .....	28
	Model 391 in cabinet for mounting outdoors or in corrosive environment .....	29
	Model S81F for industrial and petrochemical plants .....	30
<b>Wheeled hose reels</b>	<b>Painted finish</b>	
	Model S50L .....	31
	Model S50 .....	32
	Model S56 Duo-L with extension hose .....	33
	Model S55 Duo with extension hose .....	34
<b>Hose reels for long hoses</b>	<b>Painted finish</b>	
	Model S61 .....	35
<b>Hose reels 60 bar</b>	<b>Painted finish</b>	
	Model S65 .....	36
<b>General purpose hose reels</b>	<b>Painted finish</b>	
	Model 100 fixed .....	37
	Model 100SW swinging .....	38
	Model 110 fixed, for corrosive environments .....	39
	Model 110SW swinging, for corrosive environments .....	40
	Model 300 industrial hose reel .....	41
	Model 136 cabinet for utility hose reels Model 100, 110 and 120 .....	42
<b>Hose reel for warm water up to 80°C</b>	<b>Painted finish</b>	
	Model 120 .....	43
<b>Hose reel for compressed air</b>	Model 150 8 bar .....	44
<b>Extinguisher cabinet for wall-mounting or recess-mounting</b>	<b>Painted finish</b>	
	Model 3/EXT .....	45
<b>Extinguisher cabinet for recess-mounting</b>	<b>Door and frame brushed stainless steel with further door options</b>	
	Model 3/EXT .....	46
<b>Technical descriptions/ capacity/ throw lengths/ spare parts</b>	.....	47
<b>Company presentation</b>	.....	48



# MODEL OVERVIEW

The overview shows a selection of hose reels and general purpose hose reels. Do not hesitate to contact us if you work with projects needing specific designer solutions.

## GROUP RED

HOSE REELS



Door(s) and frame brushed stainless steel



Model 1A  
automatic stop valve



Model 1SWA  
with swinging arm,  
automatic stop valve



Model 3A  
automatic stop valve  
for recess-mounting



Model 31SWA  
with equipment compartment,  
automatic stop valve  
for recess-mounting



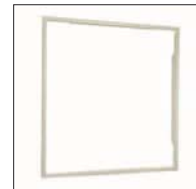
Model 3A  
automatic stop valve for  
wall-mounting  
or recess-mounting



Model 31A with equipment  
compartment, automatic  
stop valve for  
wall- or recess-mounting



El60 inner box for  
fire retardant wall



Trim frame  
for recess-mounting



Model 5BRA  
automatic stop valve



Model 5DA  
automatic stop valve



Model 32  
manual stop valve for wall- or  
recess-mounting in cold rooms



Model 36  
manual stop valve for  
wall-mounting outdoors or in  
corrosive environment

## GROUP BLUE

HOSE REELS WITH FOAM TANK



Model 1F  
for wall-mounting



Model 35  
for wall-mounting



Model 39  
for wall-mounting outdoors or  
in corrosive environment



Model S81F  
for industrial and  
petrochemical plants

## GROUP RED/GREEN

COMBINED FIRE AND GENERAL PURPOSE HOSE REELS



Model S50L



Model S56 Duo-L  
with extension hose



Model 100SW  
with swinging arm,  
manual stop valve



Model 136  
cabinet for general purpose hose  
reels model 100-110

## GROUP GREEN

GENERAL PURPOSE HOSE REELS



Model 100 manual  
stop valve



Model 110SW  
with swinging arm for corrosive  
environment, manual stop valve



Model 120  
for hot water up to 80°C,  
manual stop valve



Model 150  
for compressed air 8 bar

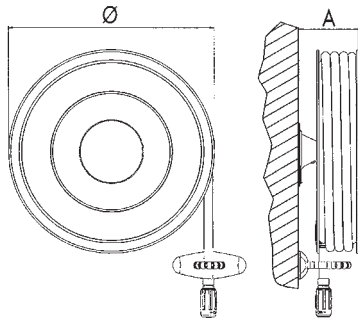
## GROUP YELLOW

FIRE EXTINGUISHERS



Model 3/EXT  
for wall- or recess-mounting

# FIXED FIRE HOSE REEL WITH AUTOMATIC STOP VALVE FOR WALL-MOUNTING



## Model 1A

Hose reel equipped with an automatic stop valve. The reel is supplied with a wall-mounting bracket, which simplifies the installation. **The automatic stop valve opens to provide full capacity within just two revolutions of the reel.**

The hose reel is suitable for use in office buildings, schools, hotels and conference centres, hospitals, sports arenas, cinemas, airports and shopping centres.

Model 1A	Hose length in metres		Dimensions in mm Ø x A	Order number
	19mm	25mm		
1A/175	20		Ø600 x 175	555007
1A/175	25		Ø600 x 175	555008
1A/175	30		Ø600 x 175	555009
1A/230		20	Ø600 x 230	555010
1A/230		25	Ø600 x 230	555011
1A/230		30	Ø600 x 230	555012

Model 1A is supplied complete with:

- Hose reel with side discs powder coated RAL 3001 red
- Integrated automatic stop valve
- Quick-change coupling system
- Jet/spray/shutoff nozzle
- Special black hose, designed to standard BS EN 694 for fire hose reels
- Wall-mounting bracket
- Roller hose guide allowing the hose to be run out in any direction
- Centre parts made of brass
- Adjustable brake
- Clockwise rotation
- Installation instructions

Manual valve models are available

The hose reels are tested, approved and CE marked according to BS EN671-1

## OPTIONS

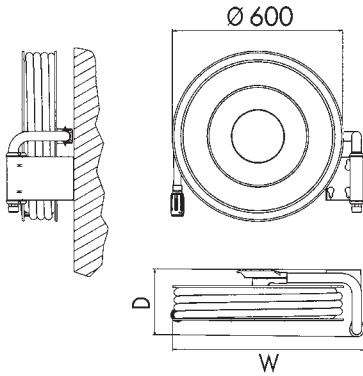
### Hose

- Red
- Light

### Rotation

- Anti-clockwise

# SWINGING FIRE HOSE REEL WITH AUTOMATIC STOP VALVE FOR WALL-MOUNTING



## Model 1SWA

Hose reel equipped with an automatic stop valve, mounted on a swinging arm with internal waterways which swings 180°, so that the hose can be run out in all directions. The hose reel is supplied with a mounting template, which simplifies the installation.

**The automatic stop valve opens to provide full capacity within just two revolutions of the reel.**

The hose reel is suitable for use in office buildings, schools, hotels and conference centres, hospitals, sports arenas, cinemas, airports and shopping centres.

Model 1SWA	Hose length in metres		Dimensions in mm W x H x D	Order number
	19mm	25mm		
1SWA/235	20		675 x 630 x 235	555019
1SWA/235	25		675 x 630 x 235	555020
1SWA/235	30		675 x 630 x 235	555021
1SWA/235		20	675 x 630 x 235	555022
1SWA/235		25	675 x 630 x 235	555023
1SWA/235		30	675 x 630 x 235	555024

Model 1SWA is supplied complete with:

- Hose reel with side discs powder coated RAL 3001 red
- Integrated automatic stop valve
- Quick-change coupling system
- Jet/spray/shut-off nozzle
- Special black hose, designed to standard BS EN694 for fire hose reels

- Mounting template
- Swinging arm with internal waterways, hinged on right hand side
- Centre parts made of brass
- Adjustable brake
- Installation instructions

Manual valve models are available

The hose reels are tested, approved and CE marked according to BS EN671-1

## OPTIONS

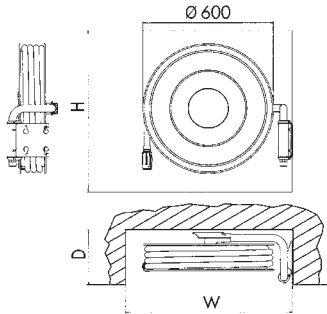
### Hose

- Red
- Light

### Hinge side

- Left

# SWINGING FIRE HOSE REEL WITH AUTOMATIC STOP VALVE FOR RECESS-MOUNTING



## Model 2SWA

Hose reel equipped with an automatic stop valve, mounted on a swinging arm with internal waterways which swings 180°, so that the hose can be run out in all directions. The hose reel is supplied with a mounting template, which simplifies the installation.

**The automatic stop valve opens to provide full capacity within just two revolutions of the reel.**

The hose reel is suitable for use in office buildings, schools, hotels and conference centres, hospitals, sports arenas, cinemas, airports and shopping centres.

Model 2SWA	Hose length in metres		Dimensions in mm W x H x D	Order number
	19mm	25mm		
2SWA/235	20		750 x 750 x 235	555031
2SWA/235	25		750 x 750 x 235	555032
2SWA/235	30		750 x 750 x 235	555033
2SWA/290		20	750 x 750 x 290	555034
2SWA/290		25	750 x 750 x 290	555035
2SWA/290		30	750 x 750 x 290	555036

Model 2SWA is supplied complete with:

- Hose reel with side discs powder coated RAL 3001 red
- Integrated automatic stop valve
- Quick-change coupling system
- Jet/spray/shutoff nozzle
- Special black hose, designed to standard BS EN694 for hose reels

- Mounting template
- Swinging arm with internal waterways, hinged on right hand side
- Centre parts made of brass
- Adjustable brake
- Installation instructions

Manual valve models are available

The hose reels are tested, approved and CE marked according to BS EN671-1

## OPTIONS

### Hose

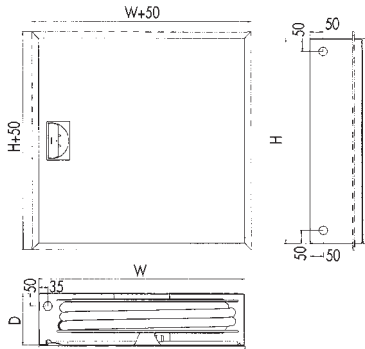
- Red
- Light

### Hinge side

- Left



# FIRE HOSE REEL WITH AUTOMATIC STOP VALVE AND CABINET FOR WALL-MOUNTING OR RECESS-MOUNTING



The same cabinet is used for wall-mounting and recess-mounting. The trim frame for recess-mounting is ordered separately.

## Model 3A

The hose reel, equipped with an automatic stop valve, is mounted on the door which opens 180°. The reel can easily be removed from the cabinet during installation, so that one man alone can install the cabinet. **The automatic stop valve opens to provide full capacity within just two revolutions of the reel.**

The hose reel is suitable for use in office buildings, schools, hotels and conference centres, hospitals, sports arenas, cinemas, airports and shopping centres.

Model 3A	Hose length in metres		Dimensions in mm W x H x D	Order number
	19mm	25mm		
3A/135	20		795 x 795 x 135	555050
3A/135	25		795 x 795 x 135	555051
3A/135	30		795 x 795 x 135	555052
3A/200		20	795 x 795 x 200	555053
3A/200		25	795 x 795 x 200	555054
3A/200		30	795 x 795 x 200	555055
3A/200	20		695 x 695 x 200	555056
3A/200	25		695 x 695 x 200	555057
3A/200	30		695 x 695 x 200	555058
<b>Trim frame for recess-mounting</b>			795 x 795	555204
			695 x 695	555203

Model 3A is supplied complete with:

- Hose reel with side discs powder coated RAL 3001 red
- Integrated automatic stop valve
- Quick-change coupling system
- Jet/spray/shut-off nozzle
- Special black hose, designed to standard BS EN694 for hose reels
- Special supply hose
- Centre parts made of brass
- Hinges on right hand side

- Adjustable brake
- Door catch/release handle
- Ø35mm knockouts for inlet pipework on 3 sides
- Removable back wall, made of galvanized steel; can be used as a mounting template
- Cabinet, except back wall, powder coated RAL 9010, white
- Door sign in accordance with Council Directive 92/58/EEC
- Installation instructions

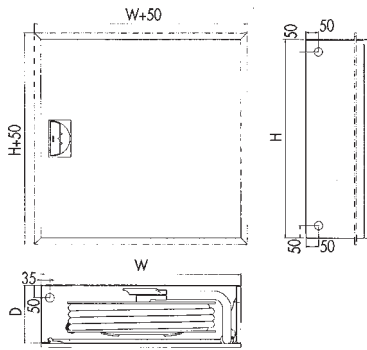
Manual valve models are available

The hose reels are tested, approved and CE marked according to BS EN671-1

## OPTIONS

Colour cabinet	Door for manual call point	Hinge side	Hose
<input type="checkbox"/> RAL 3001 Red	<input type="checkbox"/> 90x90	<input type="checkbox"/> Left	<input type="checkbox"/> Red
<input type="checkbox"/> RAL_Smooth surface)	<input type="checkbox"/> 130x130	<b>Trim frame for recess-mounting</b>	<input type="checkbox"/> Light
		<input type="checkbox"/>	

# SWINGING FIRE HOSE REEL WITH AUTOMATIC STOP VALVE AND CABINET FOR WALL-MOUNTING OR RECESS-MOUNTING



**WATER** The same cabinet is used for wall-mounting and recess-mounting. The trim frame for recess-mounting is ordered separately.

## Model 3SWA

The hose reel, equipped with an automatic stop valve, is mounted on a swinging arm with internal waterways, which swings 180°. The reel can easily be removed from the cabinet during fitting, which simplifies the installation. **The automatic stop valve opens to provide full capacity within just two revolutions of the reel.**

Model 3SWA is suitable for use in office buildings, schools, hotels and conference centres, hospitals, sports arenas, cinemas, airports and shopping centres.

Model 3SWA	Hose length in metres		Dimensions in mm W x H x D	Order number
	19mm	25mm		
3SWA/230	20		795 x 795 x 230	555065
3SWA/230	25		795 x 795 x 230	555066
3SWA/230	30		795 x 795 x 230	555067
3SWA/285		20	795 x 795 x 285	555068
3SWA/285		25	795 x 795 x 285	555069
3SWA/285		30	795 x 795 x 285	555070
<b>Trim frame for recess-mounting</b>			795 x 795	555204

Model 3SWA is supplied complete with:

- Hose reel with side discs powder coated RAL 3001 red
- Integrated automatic stop valve
- Quick-change coupling system
- Jet/spray/shut-off nozzle
- Special black hose, designed to standard BS EN694 for hose reels
- Swinging arm with internal waterways
- Centre parts made of brass
- Adjustable brake

- Hinges on right hand side
- Door catch/release handle
- Ø35mm knockouts for inlet pipework on 3 sides
- Removable back wall, made of galvanized steel; can be used as a mounting template
- Cabinet, except back wall, powder coated RAL 9010 white
- Door sign in accordance with Council Directive 92/58/EEC
- Installation instructions

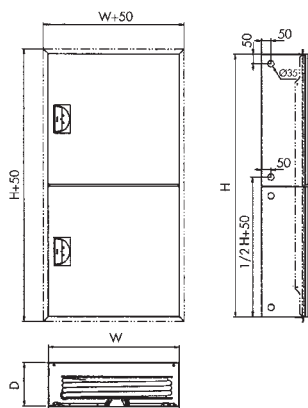
Manual valve models are available

The hose reels are tested, approved and CE marked according to BS EN671-1

## OPTIONS

Colour cabinet	Door for manual call point	Hinge side	Hose
<input type="checkbox"/> RAL 3001 Red	<input type="checkbox"/> 90x90	<input type="checkbox"/> Left	<input type="checkbox"/> Red
<input type="checkbox"/> RAL (Smooth surface)	<input type="checkbox"/> 130x130	<b>Trim frame for recess-mounting</b>	<input type="checkbox"/> Light
<input type="checkbox"/> Door with vision panel		<input type="checkbox"/>	

# FIRE HOSE REEL WITH AUTOMATIC STOP VALVE AND VERTICAL COMBINED CABINET WITH EQUIPMENT COMPARTMENT FOR WALL-MOUNTING OR RECESS-MOUNTING



The same cabinet is used for wall-mounting and recess-mounting. The trim frame for recess-mounting is ordered separately.

## Model 31A

The hose reel, equipped with an automatic stop valve, is mounted on the door which opens 180°. The reel can easily be removed from the cabinet during fitting, which simplifies the installation. The cabinet is supplied with a separate equipment compartment for housing either fire extinguishers, a hydrant landing valve or other equipment. **The automatic stop valve opens to provide full capacity within just two revolutions of the reel.**

Model 31A is suitable for use in office buildings, schools, hotels and conference centres, hospitals, sports arenas, cinemas, airports and shopping centres.

Model 31A	Hose length in metres		Dimensions in mm W x H x D	Order number
	19mm	25mm		
31A/230	20		695 x 1400 x 230	555312
31A/230	25		695 x 1400 x 230	555313
31A/230	30		695 x 1400 x 230	555314
31A/285		20	695 x 1400 x 285	555315
31A/285		25	695 x 1400 x 285	555316
31A/285		30	695 x 1400 x 285	555317
<b>Trim frame for recess-mounting</b>			695 x 1400	555318

Model 31A vertical combined cabinet is supplied complete with:

- Hose reel with side discs powder coated RAL 3001 red
- Integrated automatic stop valve
- Quick-change coupling system
- Spray/jet/shut-off nozzle
- Special black hose, designed to standard BS EN694 for hose reels
- Special supply hose
- Centre parts made of brass
- Adjustable brake

- Hinges on right hand side
- Door catches/release handles
- Ø35mm knockouts for inlet pipework on 3 sides
- Removable back wall, made of galvanized steel; can be used as a mounting template
- Cabinet, except back wall, powder coated RAL 9010 white
- Door sign in accordance with Council Directive 92/58/EEC
- Installation instructions

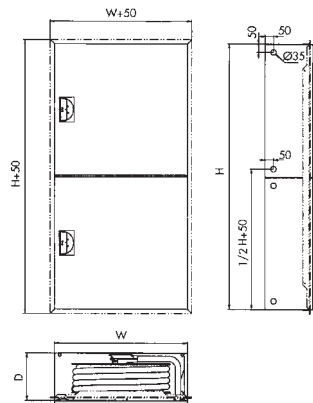
Manual valve models are available

The hose reels are tested, approved and CE marked according to BS EN671-1

## OPTIONS

Colour cabinet	Hose reel door for manual call point	Hinge side	Hose
<input type="checkbox"/> RAL 3001 Red	<input type="checkbox"/> 90x90	<input type="checkbox"/> Left	<input type="checkbox"/> Red
<input type="checkbox"/> RAL_Smooth surface)	<input type="checkbox"/> 130x130	<b>Trim frame for recess-mounting</b>	<input type="checkbox"/> Light
		<input type="checkbox"/>	

# SWINGING FIRE HOSE REEL WITH AUTOMATIC STOP VALVE AND VERTICAL COMBINED CABINET WITH EQUIPMENT COMPARTMENT FOR WALL-/RECESS-MOUNTING



**WATER** The same cabinet is used for wall-mounting and recess-mounting. The trim frame for recess-mounting is ordered separately.

## Model 31SWA

The hose reel, equipped with an automatic stop valve, is mounted on a swinging arm with internal waterways swinging 180°. The hose reel can easily be removed from the cabinet during fitting, which simplifies the installation. The cabinet is supplied with a separate equipment compartment for housing either fire extinguishers, a hydrant landing valve, or other equipment. **The automatic stop valve opens to provide full capacity within just two revolutions of the reel.**

Model 31SWA is suitable for use in office buildings, schools, hotels and conference centres, hospitals, sports arenas, cinemas, airports and shopping centres.

Model 31SWA	Hose length in metres		Dimensions in mm W x H x D	Order number
	19mm	25mm		
31SWA/230	20		795 x 1600 x 230	555319
31SWA/230	25		795 x 1600 x 230	555320
31SWA/230	30		795 x 1600 x 230	555321
31SWA/285		20	795 x 1600 x 285	555322
31SWA/285		25	795 x 1600 x 285	555323
31SWA/285		30	795 x 1600 x 285	555324
<b>Trim frame for recess-mounting</b>			795 x 1600	555325

Model 31SWA vertical combined cabinet is supplied complete with:

- Hose reel with side discs powder coated RAL 3001 red
- Integrated automatic stop valve
- Quick-change coupling system
- Spray/jet/shut-off nozzle
- Special black hose, designed to standard BS EN694 for hose reels
- Swinging arm with internal waterways
- Centre parts made of brass
- Adjustable brake
- Hinges on right hand side
- Door catches/release handles
- Ø35mm knockouts for inlet pipework on 3 sides
- Removable back wall, made of galvanized steel; can be used as a mounting template
- Cabinet, except back wall, powder coated RAL 9010 white
- Door sign in accordance with Council Directive 92/58/EEC
- Installation instructions

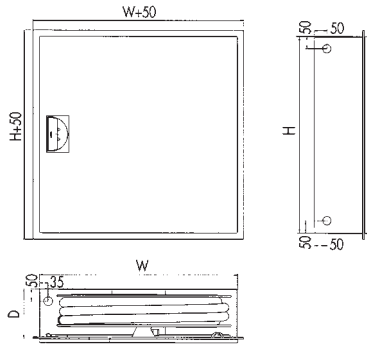
Manual valve models are available

The hose reels are tested, approved and CE marked according to BS EN671-1

## OPTIONS

<b>Colour cabinet</b> <input type="checkbox"/> RAL 3001 Red <input type="checkbox"/> RAL (Smooth surface) <input type="checkbox"/> Doors with vision panels	<b>Hose reel door for manual call point</b> <input type="checkbox"/> 90x90 <input type="checkbox"/> 130x130	<b>Hinge side</b> <input type="checkbox"/> Left <b>Trim frame for recess-mounting</b> <input type="checkbox"/>	<b>Hose</b> <input type="checkbox"/> Red <input type="checkbox"/> Light
--	---	---	---

# FIRE HOSE REEL WITH AUTOMATIC STOP VALVE AND CABINET FOR RECESS-MOUNTING DOOR AND FRAME BRUSHED STAINLESS STEEL



## Model 3A

Cabinet containing hose reel equipped with an automatic stop valve, mounted behind the door on a swivel plate which opens 180°. The reel can easily be removed from the cabinet during installation, so that one man alone can install the cabinet.

**The automatic stop valve opens to provide full capacity within just two revolutions of the reel.**

Model 3A is suitable for use in office buildings, schools, hotels and conference centres, hospitals, sports arenas, cinemas, airports and shopping centres.

Model 3A	Hose length in metres		Dimensions in mm W x H x D	Order number
	19mm	25mm		
3A/135	20		795 x 795 x 135	555080
3A/135	25		795 x 795 x 135	555081
3A/135	30		795 x 795 x 135	555082
3A/200		20	795 x 795 x 200	555083
3A/200		25	795 x 795 x 200	555084
3A/200		30	795 x 795 x 200	555085

Model 3A is supplied complete with:

- Hose reel with side discs powder coated RAL 3001 red
- Integrated automatic stop valve
- Quick-change coupling system
- Spray/jet/shut-off nozzle
- Special black hose, designed to standard BS EN694 for hose reels
- Special supply hose
- Centre parts made of brass
- Adjustable brake
- Hinges on right hand side

- Door and frame brushed stainless steel
- Door catch/release handle
- Ø35mm knockouts for inlet pipework on 3 sides
- Removable back wall, made of galvanized steel, can be used as a mounting template.
- Cabinet, except back wall, powder coated RAL 9010 white
- Double 45° wall sign in accordance with Council Directive 92/58/EEC
- Installation instructions

Manual valve models are available

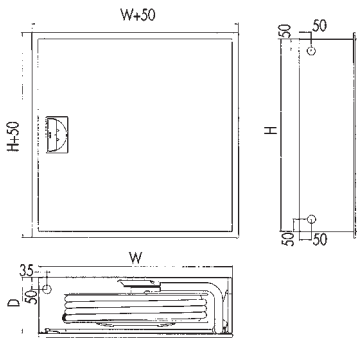
The hose reels are tested, approved and CE marked according to BS EN671-1

## OPTIONS

Door and frame	Door for manual call point	Hinge side	Hose
<input type="checkbox"/> Polished stainless steel	<input type="checkbox"/> 90x90 <input type="checkbox"/> 130x130	<input type="checkbox"/> Left	<input type="checkbox"/> Red <input type="checkbox"/> Light

# SWINGING FIRE HOSE REEL WITH AUTOMATIC STOP VALVE AND CABINET FOR RECESS-MOUNTING

## DOOR AND FRAME BRUSHED STAINLESS STEEL



### Model 3SWA

Cabinet containing hose reel equipped with an automatic stop valve, mounted on a swinging arm which swings 180°. The reel can easily be removed from the cabinet during fitting, which simplifies the installation.

**The automatic stop valve opens to provide full capacity within just two revolutions of the reel.**

Model 3SWA is suitable for use in office buildings, schools, hotels and conference centres, hospitals, sports arenas, cinemas, airports and shopping centres.

Model 3SWA	Hose length in metres		Dimensions in mm W x H x D	Order number
	19mm	25mm		
3SWA/230	20		795 x 795 x 230	555092
3SWA/230	25		795 x 795 x 230	555093
3SWA/230	30		795 x 795 x 230	555094
3SWA/285		20	795 x 795 x 285	555095
3SWA/285		25	795 x 795 x 285	555096
3SWA/285		30	795 x 795 x 285	555097

Model 3SWA is supplied complete with:

- Hose reel with side discs powder coated RAL 3001 red
- Integrated automatic stop valve
- Quick-change coupling system
- Spray/jet/shut-off nozzle
- Special black hose, designed to standard BS EN694 for hose reels
- Swinging arm with internal waterways
- Centre parts made of brass
- Adjustable brake

- Hinges on right hand side
- Door catch/release handle
- Door and frame brushed stainless steel
- Ø35mm knockouts for inlet pipework on 3 sides
- Cabinet and back wall powder coated RAL 9010 white
- Double 45° wall sign in accordance with Council Directive 92/58/EEC
- Installation instructions

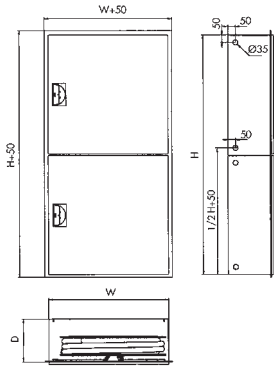
Manual valve models are available

The hose reels are tested, approved and CE marked according to BS EN671-1

### OPTIONS

Door and frame	Door for manual call point	Hinge side	Hose
<input type="checkbox"/> Polished stainless steel	<input type="checkbox"/> 90x90	<input type="checkbox"/> Left	<input type="checkbox"/> Red
<input type="checkbox"/> Brushed stainless steel with vision panel	<input type="checkbox"/> 130x130		<input type="checkbox"/> Light
<input type="checkbox"/> Polished stainless steel with vision panel			
<input type="checkbox"/> Full vision door			

# FIRE HOSE REEL WITH AUTOMATIC STOP VALVE AND VERTICAL COMBINED CABINET WITH EQUIPMENT COMPARTMENT FOR RECESS-MOUNTING DOOR AND FRAME BRUSHED STAINLESS STEEL



## Model 31A

Cabinet containing hose reel equipped with an automatic stop valve, mounted behind the door on a swivel plate which opens 180°. The reel can easily be removed during fitting, which simplifies the installation. The cabinet is supplied with a separate compartment for housing either fire extinguishers, a hydrant landing valve or other equipment. **The automatic stop valve opens to provide full capacity within just two revolutions of the reel.**

Model 31A is suitable for use in office buildings, schools, hotels and conference centres, hospitals, sports arenas, cinemas, airports and shopping centres.

Model 31A	Hose length in metres		Dimensions in mm W x H x D	Order number
	19mm	25mm		
31A/230	20		695 x 1400 x 230	555326
31A/230	25		695 x 1400 x 230	555327
31A/230	30		695 x 1400 x 230	555328
31A/285		20	695 x 1400 x 285	555329
31A/285		25	695 x 1400 x 285	555330
31A/285		30	695 x 1400 x 285	555331

Model 31A vertical combined cabinet is supplied complete with:

- Hose reel with side discs powder coated RAL 3001 red
- Integrated automatic stop valve
- Quick-change coupling system
- Spray/jet/shut-off nozzle
- Special black hose, designed to standard BS EN694 for hose reels
- Special supply hose
- Centre parts made of brass
- Adjustable brake
- Hinges on right hand side

- Doors and frame brushed stainless steel
- Door catches/release handles
- Ø35mm knockouts for inlet pipework on 3 sides
- Removable back wall, made of galvanized steel, can be used as a mounting template
- Cabinet, except back wall, powder coated RAL 9010 white
- Double 45° wall sign in accordance with Council Directive 92/58/EEC
- Installation instructions

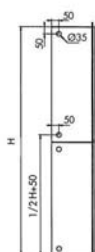
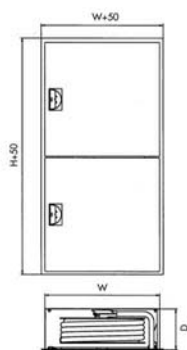
Manual valve models are available

The hose reels are tested, approved and CE marked according to BS EN671-1

## OPTIONS

Door and frame	Compartment door for manual call point	Hinge side	Hose
<input type="checkbox"/> Polished stainless steel	<input type="checkbox"/> 90x90 <input type="checkbox"/> 130x130	<input type="checkbox"/> Left	<input type="checkbox"/> Red <input type="checkbox"/> Light

# SWINGING FIRE HOSE REEL WITH AUTOMATIC STOP VALVE AND VERTICAL COMBINED CABINET WITH EQUIPMENT COMPARTMENT FOR RECESS-MOUNTING DOOR AND FRAME BRUSHED STAINLESS STEEL



## Model 31SWA

Cabinet containing hose reel equipped with an automatic stop valve, mounted on a swinging arm with internal waterways which swings 180°. The reel can easily be removed during fitting, which simplifies the installation. The cabinet is supplied with a separate equipment compartment for housing either fire extinguishers, a hydrant landing valve or other equipment. **The automatic stop valve opens to provide full capacity within just two revolutions of the reel.**

Model 31SWA is suitable for use in office buildings, schools, hotels and conference centres, hospitals, sports arenas, cinemas, airports and shopping centres.

Model 31SWA	Hose length in metres		Dimensions in mm W x H x D	Order number
	19mm	25mm		
31SWA/230	20		795 x 1600 x 230	555332
31SWA/230	25		795 x 1600 x 230	555333
31SWA/230	30		795 x 1600 x 230	555334
31SWA/285		20	795 x 1600 x 285	555335
31SWA/285		25	795 x 1600 x 285	555336
31SWA/285		30	795 x 1600 x 285	555337

Model 31SWA is supplied complete with:

- Hose reel with side discs powder coated RAL 3001 red
- Integrated automatic stop valve
- Quick-change coupling system
- Spray/jet/shut-off nozzle
- Special black hose, designed to standard BS EN694 for hose reels
- Swinging arm with internal waterways
- Centre parts made of brass
- Adjustable brake

- Hinges on right hand side
- Doors and frame brushed stainless steel
- Door catches/release handles
- Ø35mm knockouts for inlet pipework on 3 sides
- Cabinet and back wall powder coated RAL 9010 white
- Double 45° wall sign in accordance with Council Directive 92/58/EEC
- Installation instructions

Manual valve models are available

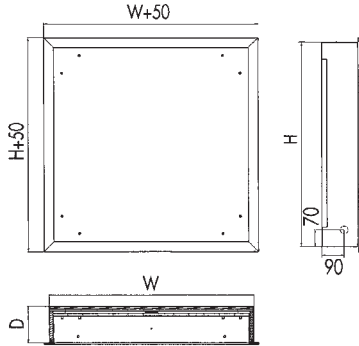
Hose reels are tested, approved and CE marked according to EN671-1

## OPTIONS

Doors and frame	Hose reel door for manual call point	Hinge side	Hose
<input type="checkbox"/> Polished stainless steel	<input type="checkbox"/> 90x90	<input type="checkbox"/> Left	<input type="checkbox"/> Red
<input type="checkbox"/> Brushed stainless steel with vision panel	<input type="checkbox"/> 130x130		<input type="checkbox"/> Light
<input type="checkbox"/> Polished stainless steel with vision panel			
<input type="checkbox"/> Full vision door			



# EI60 INNER BOX FOR RECESS-MOUNTING IN FIRE RETARDANT WALLS



## EI60 inner box

Inner box is designed to be recessed into fire retardant walls. The recess box is made of double-skinned, galvanized steel with fire-retardant insulation and meets the requirements of EI60.

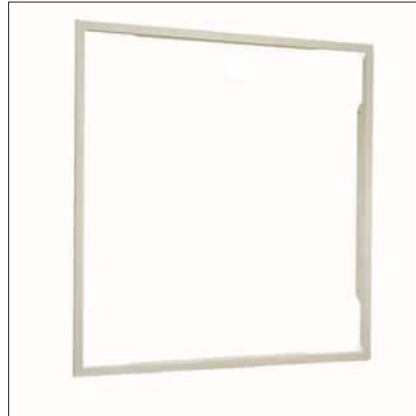
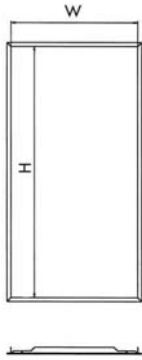
The inner box fits all cabinets with dimensions 795 x 795 for wall-mounting. The box is supplied with a trim frame for recess-mounting.

EI60	Dimensions in mm W x H x D	Order number
	838 x 838 x 150	555207

Classification is valid only when the above equipment is mounted in accordance with the approved Installation instructions. The classification certificate must be submitted to the authority having jurisdiction when requested. The installation instructions must always be available at site.



# TRIM FRAME FOR RECESS-MOUNTING POWDER COATED

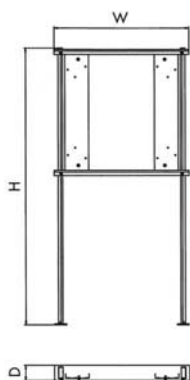


## Trim frame

The trim frame for recess-mounting is used to cover the gap between the wall and the cabinet. The frame is supplied packed separately and is very easy to install. The frame is suitable for partial or full recess-mounting.

Dimensions in mm W x H	Order number
305 x 695	555200
305 x 795	555201
460 x 646	555340
500 x 500	555202
695 x 695	555203
795 x 795	555204
1005 x 695	555205
1105 x 795	555206
695 x 1400	555318
795 x 1600	555325

# FLOOR SUPPORT FRAME

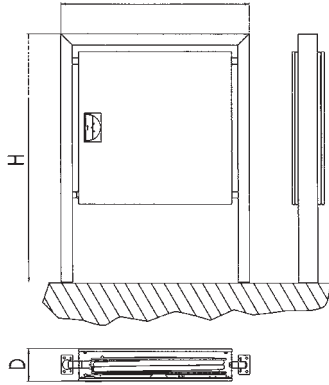


## Floor support frame

Adjustable support frame for cabinets that are to be installed in lightweight stud partition walls. The frame sits behind the cabinet, leaving plenty of space for the lightweight wall structure around the sides of the cabinet. The one-size frame is provided with mounting holes for all sizes of hoosereel cabinet. The cabinet mounting height is adjustable.

Dimensions in mm W x H x D	Order number
916 x 1904 x 109	555338

# FREE-STANDING FIRE HOSE REEL WITH AUTOMATIC STOP VALVE AND CABINET FOR FLOOR MOUNTING



## Model 5BRA

Cabinet containing hose reel equipped with a manual stop valve, mounted on the door which opens 180°. The reel can easily be removed from the cabinet during fitting, which simplifies the installation. The cabinet is fixed to a robust frame for mounting on the floor. The water supply piping to the reel is hidden in the frame. **The automatic stop valve opens to provide full capacity within just two revolutions of the reel.**

Model 5BRA is suitable for use in locations where it is impossible, or undesirable to mount a cabinet on the wall. It is ideal for positioning in entrance halls, in front of glass panels, beside columns and in buildings with large open floor spaces.

Model 5BRA	Hose length in metres		Dimensions in mm W x H x D	Order number
	19mm	25mm		
5BRA/160	20		980 x 1300 x 160	555160
5BRA/160	25		980 x 1300 x 160	555161
5BRA/160	30		980 x 1300 x 160	555162
5BRA/225		20	980 x 1300 x 225	555163
5BRA/225		25	980 x 1300 x 225	555164
5BRA/225		30	980 x 1300 x 225	555165

Model 5BR is supplied complete with:

- Hose reel with side discs powder coated RAL 3001 red
- Integrated automatic stop valve
- Quick-change coupling system
- Spray/jet/shut-off nozzle
- Special black hose, designed to standard BS EN694 for hose reels
- Special supply hose
- Centre parts made of brass
- Adjustable brake
- Hinges on right hand side

- Door catch/release handle
- Cabinet powder coated RAL 9010, white
- Frame for mounting on the floor, powder coated RAL 3001, red
- Mounting template
- Water supply piping inside the frame
- Door sign in accordance with Council Directive 92/58/EEC
- Installation instructions

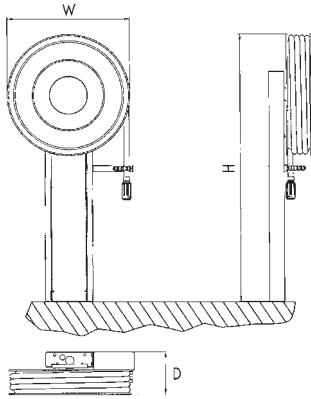
Manual valve models are available

The hose reels are tested, approved and CE marked according to BS EN671-1

## OPTIONS

Colour cabinet	Door for manual call point	Hinge side	Hose
<input type="checkbox"/> RAL 3001 Red	<input type="checkbox"/> 90x90	<input type="checkbox"/> Left	<input type="checkbox"/> Red
<input type="checkbox"/> RAL_ (Smooth surface)	<input type="checkbox"/> 130x130		<input type="checkbox"/> Light

# FREE-STANDING FIRE HOSE REEL WITH AUTOMATIC STOP VALVE FOR FLOOR MOUNTING



## Model 5DA

Hose reel equipped with an automatic stop valve, fixed to a pedestal for mounting on the floor. The water supply piping is hidden inside the pedestal. **The automatic stop valve opens to provide full capacity within just two revolutions of the reel.**

The hose reel is suitable for use in locations where it is impossible, or undesirable to mount a hose reel on the wall. It is ideal for positioning in entrance halls, in front of glass panels and beside columns.

Model 5DA	Hose length in metres		Dimensions in mm W x H x D	Order number
	19mm	25mm		
5DA/220	20		600 x 1300 x 220	555172
5DA/220	25		600 x 1300 x 220	555173
5DA/220	30		600 x 1300 x 220	555174
5DA/275		20	600 x 1300 x 275	555175
5DA/275		25	600 x 1300 x 275	555176
5DA/275		30	600 x 1300 x 275	555177

Model 5DA is supplied complete with:

- Hose reel with side discs, powder coated RAL 3001 red
- Integrated automatic stop valve
- Quick-change coupling system
- Spray/jet/shut-off nozzle
- Special black hose, designed to standard BS EN694 for hose reels
- Centre parts made of brass
- Adjustable brake

- Roller hose guide allowing the hose to be run out in any direction
- Pedestal made of steel, powder coated RAL 3001 red
- Supply pipe and connections built into the pedestal
- Bracket for mounting on the floor
- Installation instructions

Manual valve models are available

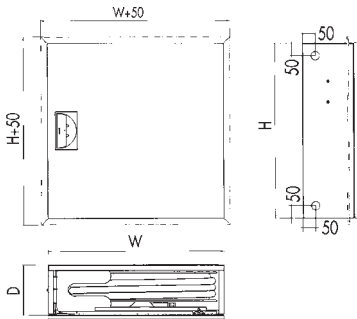
The hose reels are tested, approved and CE marked according to BS EN671-1

## OPTIONS

### Hose

- Red
- Light

# FIRE HOSE REEL AND CABINET WITH INSULATION AND HEATING FOR WALL-MOUNTING OR RECESS-MOUNTING IN COLD ROOMS



**WATER** The same cabinet is used for wall-mounting and recess-mounting. The trim frame for recess-mounting is ordered separately.

## Model 32

The hose reel equipped with a manual stop valve, is mounted on a swinging arm which swings 180°. The reel can easily be removed during fitting, which simplifies the installation. The cabinet is equipped with insulation and a 200W thermostatically controlled heating element and will withstand temperatures down to -35°C (measured in zero wind) without the water freezing.

Model 32 is ideal for use in cold rooms with temperatures below freezing point. **Model 32 is unsuitable for installation outdoors or in corrosive environments.** Note that parking garages are considered to be corrosive environments because exhaust gases and moist air become aggressive when combined. For such installations, use model 36.

Model 32	Hose length in metres		Dimensions in mm W x H x D	Order number
	19mm	25mm		
32/200	20		695 x 695 x 200	555178
32/200	25		695 x 695 x 200	555179
32/200	30		695 x 695 x 200	555180
32/230		20	795 x 795 x 230	555181
32/230		25	795 x 795 x 230	555182
32/230		30	795 x 795 x 230	555183
<b>Trim frame for recess-mounting</b>			695 x 695	555203
			795 x 795	555204

Model 32 is supplied complete with:

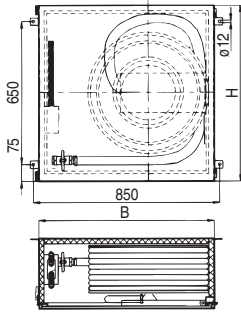
- Hose reel with side discs powder coated RAL 3001 red
- 1" manual stop valve
- Quick-change coupling system
- Spray/jet/shut-off nozzle
- Special black hose, designed to standard BS EN694 for hose reels
- Special supply hose
- Centre parts made of brass
- Adjustable brake
- Hinges on right hand side
- The cabinet is made of steel, lined with 20mm of insulation
- Removable back wall made of galvanized steel; can be used as a template
- 200W/220V thermostatically controlled heating element
- Ø35mm knockouts for inlet pipework on 3 sides
- Cabinet, except back wall, powder coated RAL 9010, white
- Door catch/release handle
- Door sign in accordance with Council Directive 92/58/EEC
- Installation instructions

The hose reels are tested, approved and CE marked according to BS EN671-1

## OPTIONS

Colour cabinet	Hinge side	Hose
<input type="checkbox"/> RAL 3001 Red	<input type="checkbox"/> Left	<input type="checkbox"/> Red
	<input type="checkbox"/> <b>Trim frame for recess-mounting</b>	

# FIRE HOSE REEL AND CABINET WITH INSULATION AND HEATING FOR WALL-MOUNTING OUTDOORS OR IN CORROSIVE ENVIRONMENTS



## Model 36

Cabinet containing hose reel equipped with a manual stop valve. The hose reel is mounted on a swinging arm which swings 180°. The cabinet, which is made of stainless steel, is equipped with insulation and a 200W thermostatically controlled heating element and will withstand temperatures down to -35°C (measured in zero wind) without the water freezing.

**Model 36 is ideal for use outdoors and in corrosive environments, for instance in marinas, on camping sites and in parking garages.**

Model 36	Hose length in metres		Dimensions in mm W x H x D	Order number
	19mm	25mm		
36/330	20		800 x 800 x 330	555184
36/330	25		800 x 800 x 330	555185
36/330	30		800 x 800 x 330	555186
36/330		20	800 x 800 x 330	555187
36/330		25	800 x 800 x 330	555188
36/330		30	800 x 800 x 330	555189

Model 36 is supplied complete with:

- Hose reel with side discs powder coated RAL 3001 red
- 1" manual stop valve
- Spray/jet/shut-off nozzle
- Special black hose, designed to standard BS EN694 for hose reels
- Special supply hose
- Centre parts made of brass
- Adjustable brake
- Cabinet made of stainless steel, lined with 20mm of insulation
- Door fitted with rubber gasket and hinged on the right-hand side
- 200W/220V thermostatically controlled heating element
- Twin throw-over door catches
- Cabinet powder coated RAL 3001 red
- Door sign in accordance with Council Directive 92/58/EEC
- Installation instructions

The hose reels are tested, approved and CE marked according to BS EN671-1

## OPTIONS

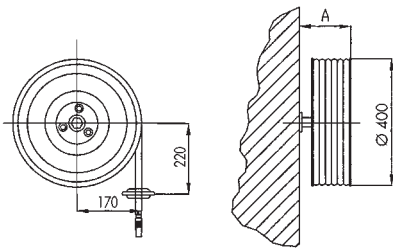
### Hinge side

Left

### Hose

Red

# HOSE REEL FOR WALL-MOUNTING



## Model 1 Junior

Hose reel fitted with 13mm hose and a manual stop valve.

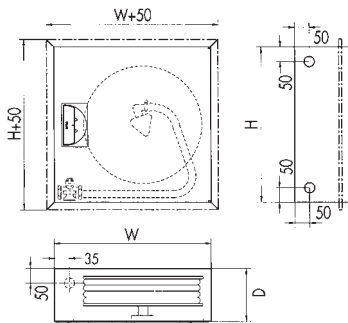
The hose reel is intended for use in locations with a limited water supply.

Model 1 Jr	Hose length in metres		Dimensions in mm Ø x A	Order number
	13mm			
1 Jr/160	25		Ø400 x 160	155 005

Model 1 Junior is supplied complete with:

- Hose reel with side discs PVC red
- 1/2" manual stop valve
- Jet/spray/shut-off nozzle
- Black hose
- Centre parts made of acetal
- Installation instructions

# FIRE HOSE REEL AND CABINET FOR WALL-MOUNTING OR RECESS-MOUNTING



The same cabinet is used for wall-mounting and recess-mounting. The trim frame for recess-mounting is ordered separately.

## Model 3 Junior

The hose reel equipped with a 13mm hose and a manual stop valve and is mounted on the door, which opens 180°.

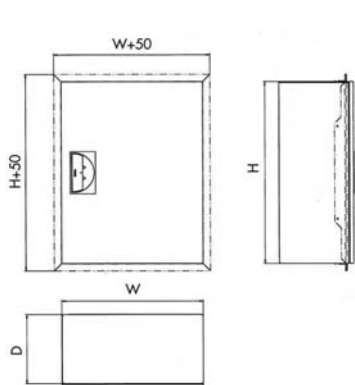
Model 3 Junior is intended for use in locations with a limited water supply.

Model 3 Jr	Hose length in metres		Dimensions in mm W x H x D	Order Number
	13mm			
3 Jr/170	25		500 x 500 x 170	555037
<b>Trim frame for recess-mounting</b>			500 x 500	555202

Model 3 Junior is supplied complete with:

- Hose reel with side discs PVC red
- 1/2" manual stop valve
- Jet/spray/shut-off nozzle
- Black hose
- Special supply hose
- Waterways made of acetal
- Hinges on right hand side
- Door catch/release handle
- Ø35mm knockouts for inlet pipework on 3 sides
- Removable back wall, made of galvanized steel, can be used as a template
- Cabinet except back wall, powder coated RAL 9010 white
- Installation instructions

# CABINET FOR LANDING VALVE FOR WALL-MOUNTING OR RECESS-MOUNTING



## Model 3/DR

The same cabinet is used for wall-mounting and recess-mounting. The trim frame for recess-mounting is ordered separately.

This cabinet is especially useful for the specifier who is looking for a common appearance for all the fire fighting equipment cabinets. It matches the Model 3 and Model 31 hosereel cabinets in this catalogue.

Model 3/DR	Dimensions in mm W x H x D	Order number
3/DR	460 x 646 x 245	555339
<b>Trim frame for recess-mounting</b>	460 x 646	555340

Model 3/DR is supplied complete with:

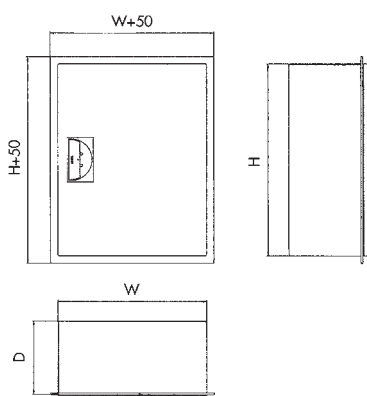
- Hinges on right hand side
- Door catch/release handle
- Removable back wall, made of galvanized steel; can be used as a mounting template
- Cabinet, except back wall, powder coated RAL 9010, white
- Door sign

## OPTIONS

Colour cabinet	Hinge side	Trim frame for recess-mounting
<input type="checkbox"/> RAL 3001 Red	<input type="checkbox"/> Left	<input type="checkbox"/>
<input type="checkbox"/> RAL – (Smooth surface)		
<input type="checkbox"/> Door with vision panel		

# CABINET FOR LANDING VALVE FOR RECESS-MOUNTING

## DOOR AND FRAME BRUSHED STAINLESS STEEL



## Model 3/DR

This cabinet is especially useful for the specifier who is looking for a common appearance for all the fire fighting equipment cabinets. It matches the Model 3 and Model 31 stainless steel finish hosereel cabinets in this catalogue.

Model 3/DR	Dimensions in mm W x H x D	Order number
3/DR	460 x 646 x 245	555341

Model 3/DR is supplied complete with:

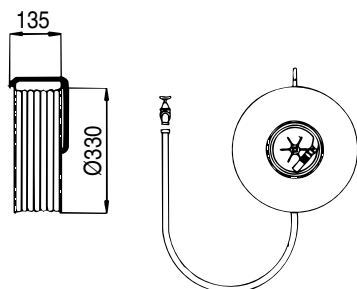
- Hinges on right hand side
- Door catch/release handle
- Door and frame brushed stainless steel
- Cabinet and back wall, powder coated RAL 9010 white

## OPTIONS

Hinge side	Door and frame
<input type="checkbox"/> Left	<input type="checkbox"/> Polished stainless steel
	<input type="checkbox"/> Brushed stainless steel with vision panel
	<input type="checkbox"/> Polished stainless steel with vision panel
	<input type="checkbox"/> Full vision door



# EASY



## Easy

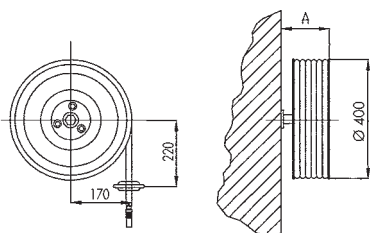
Hose reel equipped with a  $\frac{3}{4}$ " BSP coupling for connecting to a water tap. The Easy reel is carried with you, paying out hose as you move away from the water tap. When you reach the place where water is needed, the nozzle and a short length of hose pull out from the centre of the reel. Easy is ideal for occasional use at home.

Model	Hose length in metres		Dimensions in mm Ø x A	Order number
	Easy	13mm		
Easy	20+2		330 x 135	155 001

Easy is supplied complete with:

- PVC hose reel
- Wall-mounting bracket
- Black hose
- Adjustable, brass spray nozzle: jet/ spray/ shut-off
- $\frac{3}{4}$ " BSP brass coupling for connecting to water tap
- Installation instructions

# VILLA



## Villa

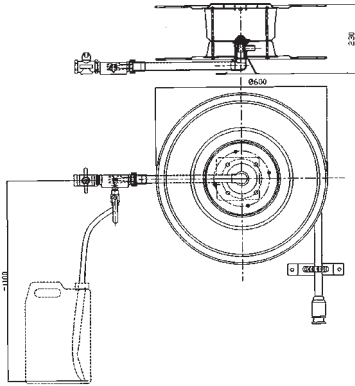
Hose reel equipped with a quick coupling for connecting to a water tap. Villa is excellent for car-washing and garden watering; 26.5 meters of 13mm hose covers the needs of most private homes. The hose reel can be disconnected for storing indoors.

Model	Hose length in metres		Dimensions in mm Ø x A	Order number
	Villa	13mm		
Villa	26.5		400 x 160	155 002

Villa is supplied complete with:

- PVC hose reel with water supply through centre of reel
- Wall-mounting bracket
- Adjustable, brass spray nozzle: jet/ spray/ shut-off, with quick coupling
- Black hose
- Supply hose with quick coupling for connecting to water tap
- Rewind handle fitted to front disc
- Installation instructions

# FOAM HOSE REEL FOR WALL-MOUNTING



## Model 1F

Foam hose reel designed for wall-mounting, equipped with an inductor which will mix either AFFF synthetic foam concentrate or FFFP environmentally friendly protein foam concentrate into the water supply. Model 1F is equally suitable for fighting fires involving carboniferous materials and flammable liquid fires; the foam works as a wetting agent effective against deep-seated fires. We also recommend model 1F for sealing spills of flammable liquids.

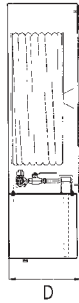
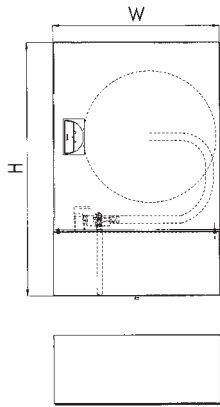
The inductor draws the concentrate directly from the container and mixes it with water. At 6 bar water pressure, 80 litres of water per minute is mixed and discharged from the hose. With a 25 litre foam container, the foam hose reel will supply water mixed with 3% foam concentrate for approx. 10 minutes. Foam containers can be supplied in different sizes.

Model 1F	Hose length in metres		25mm	Dimensions in mm Ø x A	Order number
1F/230			30	Ø600 x 230	155 510

Model 1F is supplied complete with:

- Hose reel with side discs powder coated RAL 3001 red
- 1" manual stop valve
- Quick-change coupling system
- Jet/ spray/ shut-off nozzle
- Special black hose, designed to standard BS EN694 for fire hose reels
- Wall-mounting bracket
- Roller hose guide allowing the hose to be run out in any direction
- Centre parts made of brass
- Adjustable brake
- Clockwise rotation
- Inductor for adding 3% foam concentrate
- Stop valve and suction hose for the foam concentrate
- Installation instructions
- Foam concentrate and foam container is not included

# FIRE HOSE REEL AND CABINET WITH FOAM TANK FOR WALL-MOUNTING



## Model 35

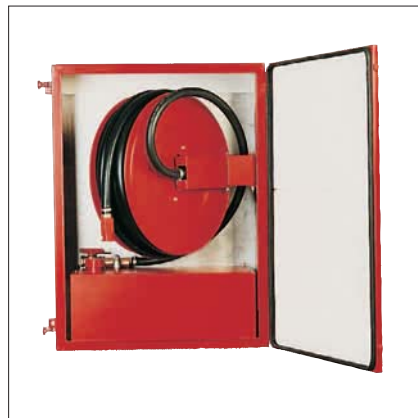
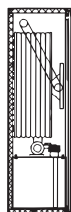
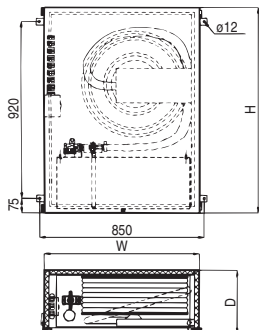
Hose reel with foam tank equipped with an inductor for mixing AFFF synthetic foam concentrate or FFFP environmentally friendly protein foam concentrate into the water supply. This makes it the ideal unit for fighting fires in carboniferous materials and flammable liquid. The unit is also excellent for insulating spills of flammable liquids against ignition. The hose reel is mounted on the door, which opens 180°, and is combined with a 3% foam inductor fed from a 50-litre stainless steel tank.

Model 35	Hose length in metres		25mm	Dimensions in mm W x H x D	Order number
35/285			30	700 x 1065 x 285	155 501

Model 35 is supplied complete with:

- Hose reel with side discs powder coated RAL 3001 red
- 1" manual stop valve
- Quick-change coupling system
- Jet/ spray/ shut-off nozzle
- Special black hose, designed to standard BS EN694 for fire hose reels
- Special supply hose
- Centre parts made of brass
- Adjustable brake
- Fixed foam inductor providing a 3% mixture of foam
- Stop valve for the foam concentrate
- Hinges on right hand side
- Door catch/release handle
- Ø35mm knockouts for inlet pipework on 3 sides
- Cabinet and foam tank, except back wall, powder coated RAL 3001 red
- Door sign in accordance with Council Directive 92/58/EEC
- Stainless steel tank for 50 litres of foam concentrate
- Installation instructions
- Foam concentrate is not included

# FIRE HOSE REEL AND CABINET WITH FOAM TANK FOR WALL-MOUNTING OUTDOORS OR IN CORROSIVE ENVIRONMENT



## Model 39

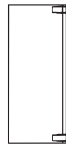
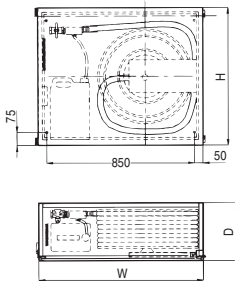
Hose reel designed for use with AFFF synthetic foam concentrate or FFFP environmentally friendly protein foam. This makes it the ideal unit for fighting fires in carboniferous materials and flammable liquids. The swinging hose reel is combined with a 3% foam inductor which is fed from a 50-litre, stainless steel tank. The unit is also excellent for insulating spills of flammable liquids against ignition. The stainless steel cabinet is splash-proof, insulated and equipped with a thermostatically controlled heating element and can withstand temperatures down to -35°C (measured in zero wind) without the water freezing, which makes it suitable for mounting outdoors or in corrosive environments.

Model 39	Hose length in metres		Dimensions in mm W x H x D	Order number
		25mm		
39/330		25	800 x 1070 x 330	155 503
39/330		30	800 x 1070 x 330	155 504

Model 39 is supplied complete with:

- Hose reel with side discs powder coated RAL 3001 red
- 1" manual stop valve
- Quick-change coupling system
- Jet/ spray/ shut-off nozzle
- Special black hose, designed to standard BS EN694 for fire hose reels
- Special supply hose
- Centre parts made of brass
- Adjustable brake
- Fixed foam inductor providing a 3% mixture of foam
- Stop valve for the foam concentrate
- Cabinet made of stainless steel, lined with 20mm of insulation
- Door equipped with a rubber gasket and hinged on right hand side
- 200W/ 220V thermostatically controlled heating element
- Twin throw-over door catches
- Cabinet and foam tank powder coated RAL 3001 red
- Door sign in accordance with Council Directive 92/58/EEC
- Stainless steel tank for 50 litres of foam concentrate
- Installation instructions
- Foam concentrate is not included

# FIRE HOSE REEL IN CABINET WITH FOAM CONTAINER FOR MOUNTING OUTDOORS OR IN CORROSIVE ENVIRONMENT



## Model 391

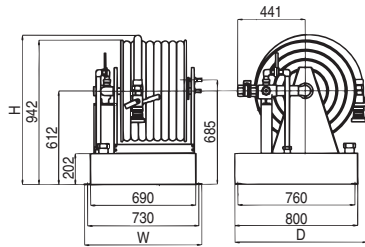
Hose reel with foam tank suitable for mounting outdoors or in corrosive environments. The stainless steel cabinet is splash-proof, insulated and has a 200W thermostatically controlled heating element and will withstand temperatures down to -35°C (measured in zero wind) without the water freezing. The swinging hose reel is combined with a 3% foam inductor, fed from a 10-litre foam tank. Designed for use with AFFF synthetic foam concentrate or FFFP environmentally friendly protein foam, the unit is equally suitable for fighting fires in carboniferous materials and flammable liquids. The unit is also excellent for insulating spills of flammable liquids against ignition. This is the ideal cabinet-mounted hose reel for petrol stations.

Model 391	Hose length in metres		Dimensions in mm W x H x D	Order number
		25mm		
391/330		25	950 x 800 x 330	155 505

Model 391 is supplied complete with:

- Hose reel with side discs powder coated RAL 3001 red
- 1" manual stop valve
- Quick-change coupling system
- Jet/ spray/ shut-off nozzle
- Special black hose, designed to standard BS EN694 for fire hose reels
- Special supply hose
- Centre parts made of brass
- Adjustable brake
- Fixed foam inductor providing a 3% mixture of foam
- Stop valve for the foam concentrate
- Cabinet made of stainless steel, lined with 20mm of insulation
- Door equipped with a rubber gasket and hinged on right hand side
- 200W/ 220V thermostatically controlled heating element
- Twin throw-over door catches
- Cabinet powder coated RAL 3001 red
- Door sign in accordance with Council Directive 92/58/EEC
- Container for 10 litres of foam concentrate
- Installation instructions
- Foam concentrate is not included

# FIRE HOSE REEL WITH FOAM TANK FOR INDUSTRIAL AND PETROCHEMICAL PLANTS



## Model S81F

A complete fire fighting unit with 30m of 38mm hose connected to a variable foam inductor fed from a 100-litre stainless steel tank. Designed for use with AFFF synthetic foam concentrate or FFFP environmentally friendly protein foam, this is the ideal unit for filling the gap between small foam extinguishers and the large foam monitor systems found at petrochemical plants and other industrial locations.

Model S81F	Hose length in metres		Dimensions in mm W x H x D	Order number
		38mm		
S81F		30	750 x 950 x 850	155 507

Model S81F is supplied complete with:

- Hose reel with water supply through centre of reel
- Hose: Oil-resistant, antistatic rubber hose with working pressure 20 bar
- Nozzle: Akron 3019
- Foam inductor: 200 litres/min., adjustable for 0-5% mixture of foam concentrate
- Isolating valve: 2"
- Water inlet: 2" BSP female thread
- Hand crank for rewind
- Material:
  - Hose reel: Galvanized steel
  - Foam tank: 100 litres, made of AISI316L stainless steel
  - Waterways: Gunmetal
- Painting: Epoxy/ polyester powder coating
- Colour: RAL 3001 red
- Instructions for use and maintenance
- Foam concentrate is not included

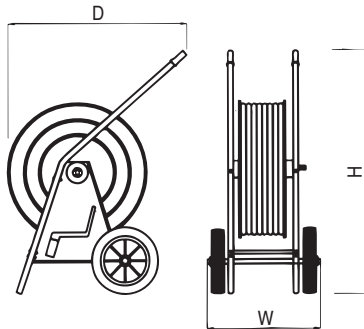
## OPTIONS

Foam tank 200 litres

### Accessories

- 1:3 gearing device for easy rewind
- Roller hose guide S81/514

# HOSE TROLLEY



## Model S50L

Hose trolley with compact rubber tyres for use on smooth surfaces. The trolley can be located at the water outlet and the required length of hose run out. The reel is equipped with a hand crank to facilitate rewinding the hose. The optional gearing device for easier rewinding is recommended for hoses in excess of 50 metres, and for 32mm and 38mm hoses.

The hose trolley, which is easy to move, is suitable for fire extinguishing, and general cleaning and maintenance activities at industrial plants, parks and sports arenas.

Model S50L	Hose length in metres		Dimensions in mm W x H x D	Order number
	19mm	25mm		
S50L/314	0		540 x 1150 x 845	153 350
S50L/314	30		540 x 1150 x 845	153 379
S50L/314	40		540 x 1150 x 845	153 523
S50L/314	50		540 x 1150 x 845	153 524
S50L/514	0		740 x 1150 x 845	153 378
S50L/514	60		740 x 1150 x 845	153 382
S50L/514	70		740 x 1150 x 845	153 383
S50L/514	80		740 x 1150 x 845	153 384
S50L/514	90		740 x 1150 x 845	153 385
S50L/514	100		740 x 1150 x 845	153 386
S50L/314		0	540 x 1150 x 845	153 525
S50L/314		30	540 x 1150 x 845	153 526
S50L/514		0	740 x 1150 x 845	153 387
S50L/514		40	740 x 1150 x 845	153 389
S50L/514		50	740 x 1150 x 845	153 390
S50L/514		60	740 x 1150 x 845	153 391
S50L/514		70	740 x 1150 x 845	153 392

Model S50L is supplied complete with:

- Hose reel with water supply through centre of reel
- Nozzle: Jet/ spray/ shut-off nozzle
- Hose: Special black hose, designed to standard BS EN694 for fire hose reels
- Hose connection: Hose nipple. Spring inserted in the hose for extra rigidity at the connection
- Water inlet: 2" BSP male thread with 1.5m of 25mm supply hose

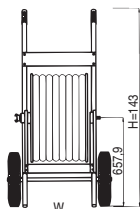
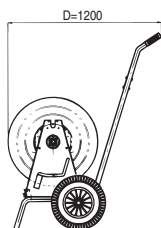
- Hand crank for rewind
- Material:
  - Hose reel: Galvanized steel
  - Trolley: Galvanized/ black steel
  - Wheels: Ø250mm compact rubber tyres
  - Waterways: Brass
- Painting: Epoxy/ polyester powder coating
- Colour: RAL 3001 red

## OPTIONS

### Accessories

- 1:3 gearing device for easy rewind

# HOSE TROLLEY



## Model S50

Robust hose trolley with large, compact rubber tyres.

The trolley is especially suitable for use over rough surfaces. The trolley can be located at the water outlet and the required length of hose run out. The reel is equipped with a hand crank to facilitate rewinding the hose. The optional gearing device for easier rewinding is recommended for hoses in excess of 50 metres, and for 32mm and 38mm hoses.

The hose trolley, which is easy to move, is suitable for fire extinguishing, and general cleaning and maintenance activities at industrial plants, parks and sports arenas.

Model S50	Hose length in metres				Dimensions in mm W x H x D	Order number
	19mm	25mm	32mm	38mm		
S50/514	0				775 x 1430 x 1145	153 401
S50/514	50				775 x 1430 x 1145	153 404
S50/514	60				775 x 1430 x 1145	153 405
S50/514	70				775 x 1430 x 1145	153 406
S50/514	80				775 x 1430 x 1145	153 407
S50/514	90				775 x 1430 x 1145	153 408
S50/514	100				775 x 1430 x 1145	153 409
S50/514		0			775 x 1430 x 1145	153 410
S50/514		30			775 x 1430 x 1145	153 411
S50/514		40			775 x 1430 x 1145	153 412
S50/514		50			775 x 1430 x 1145	153 413
S50/514		60			775 x 1430 x 1145	153 414
S50/514		70			775 x 1430 x 1145	153 415
S50/514			0		775 x 1430 x 1145	153 416
S50/514			30		775 x 1430 x 1145	153 417
S50/514			40		775 x 1430 x 1145	153 418
S50/514			50		775 x 1430 x 1145	153 419
S50/514				0	775 x 1430 x 1145	153 420
S50/514				20	775 x 1430 x 1145	153 421
S50/514				25	775 x 1430 x 1145	153 422
S50/514				30	775 x 1430 x 1145	153 423

Model S50 is supplied complete with:

- Hose reel with water supply through centre of reel
- Nozzle 19mm – 25mm: Jet/spray/shut-off nozzle
- Nozzle 32mm: Unifire V12 or equivalent
- Nozzle 38mm: Unifire V14 or equivalent
- Hose: 19mm – 25mm: Special black hose, designed to standard BS EN694 for fire hose reels
- Hose 32mm – 38mm: Semi-rigid hose with 10bar working pressure
- Hose connection 19mm – 25mm: Hose nipple. Spring inserted in the hose for extra rigidity at the connection
- Hose connection 32mm – 38mm: Goose-neck with hose nipple
- Water inlet: 2" BSP male thread with 1.5m supply hose: 25mm for 19 and 25mm, 32mm for 32mm, or 38mm for 38mm
- Hand crank for rewind
- Material:
  - Hose reel: Galvanized steel
  - Trolley: Galvanized/ black steel
  - Wheels: Ø400mm compact rubber tyres
  - Waterways: Brass
- Painting: Epoxy/ polyester powder coating
- Colour: RAL 3001 red

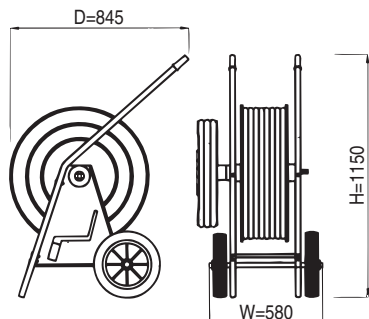
## OPTIONS

### Accessories

- 1:3 gearing device for easy rewind



# HOSE TROLLEY WITH EXTENSION HOSE



## Model S56 Duo-L

Hose trolley with compact rubber tyres for use on smooth surfaces and an extra reel to accommodate 10 or 15 metres of extension hose. After connecting to the water outlet, the main hose can be run out by wheeling the trolley. The extension hose is used in the same way as a hose from a fixed reel, though without the need to drag the main hose around as well.

The hose trolley, which is easy to move, is suitable for fire extinguishing, and general cleaning and maintenance activities at industrial plants, parks and sports arenas.

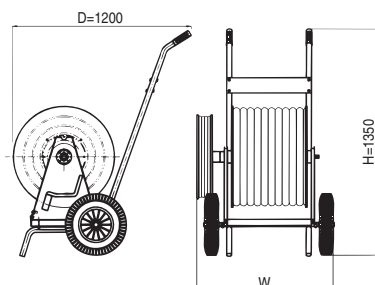
Model	Main hose	Extension hose		Dimensions in mm W x H x D	Order number
	25mm	19mm	25mm		
S56 Duo-L	0	0		580 x 1150 x 845	153 657
S56 Duo-L	0		0	580 x 1150 x 845	153 658
S56 Duo-L	30	15		580 x 1150 x 845	153 659
S56 Duo-L	30		10	580 x 1150 x 845	153 660

Model S56 Duo-L is supplied complete with:

- Hose reel with water supply through centre of reel
- Nozzle: Jet/spray/shut-off nozzle
- Hose: Special black hose, designed to standard BS EN694 for fire hose reels
- Hose connection: Main hose reel has a hose nipple and a spring inserted in the hose for extra rigidity at the connection. Extension hose reel is equipped with quick-change coupling system.

- Rewind hand cranks on both reels
- Material:
  - Hose reel: Galvanized steel
  - Extension hose reel: Galvanized/ black steel
  - Trolley: Galvanized/ black steel
  - Wheels: Ø250mm compact rubber tyres
  - Waterways: Brass
- Painting: Epoxy/ polyester powder coating
- Colour: RAL 3001 red

# HOSE TROLLEY WITH EXTENSION HOSE



**Model S55 Duo**  
Robust hose trolley with large, compact rubber tyres, especially suitable for use over rough surfaces. It has an extra reel to accommodate 10 or 15 metres of extension hose. After connecting to the water outlet, the main hose can be run out by wheeling the trolley. The extension hose is used in the same way as a hose from a fixed reel, though without the need to drag the main hose around as well. The optional gearing device for easier rewinding is recommended for hoses in excess of 50 metres.

The hose trolley, which is easy to move, is suitable for fire extinguishing, and general cleaning and maintenance activities at industrial plants, parks and sports arenas.

Model	Main hose		Extension hose		Dimensions in mm W x H x D	Order number
	25mm	19mm	25mm	25mm		
S55 Duo	0	0	0	0	850 x 1430 x 1200	153 530
S55 Duo	0	0	0	0	850 x 1430 x 1200	153 531
S55 Duo	70	15			850 x 1430 x 1200	153 532
S55 Duo	70		10		850 x 1430 x 1200	153 533

Model S55 Duo is supplied complete with:

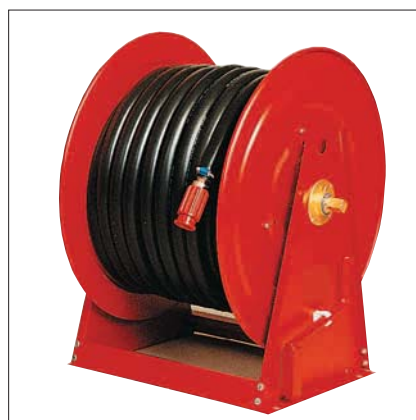
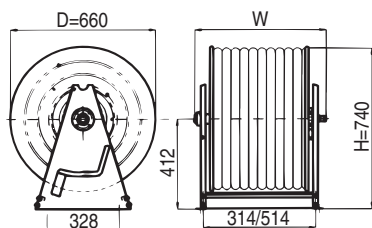
- Hose reel with water supply through centre of reel
- Nozzle: Jet/spray/shut-off nozzle
- Hose: Special black hose, designed to standard BS EN694 for fire hose reels
- Hose connection: Main hose reel has a hose nipple and a spring inserted in the hose for extra rigidity at the connection. Extension hose reel is equipped with quick-change coupling system.

- Rewind hand cranks on both reels
- Material:
  - Hose reel: Galvanized steel
  - Extension hose reel: Galvanized/ black steel
  - Trolley: Galvanized/ black steel
  - Wheels: Ø400mm compact rubber tyres
  - Waterways: Brass
- Painting: Epoxy/ polyester powder coating.
- Colour: RAL 3001 red

## OPTIONS

- 1:3 Gearing device for easy rewind

# HOSE REEL FOR LONG HOSES



## Model S61

Robust hose reel for fresh water use. The reel can be mounted on the floor, or on the wall. The optional brake is recommended if the reel is to be wall-mounted. This hose reel can be supplied with a 100m x 19mm or 70m x 25mm hose. It can also be supplied with a 32mm or 38mm hose. The optional gearing device for easy rewind is recommended for hoses in excess of 50m or 32mm and 38mm hoses.

The hose reel is suitable for fire extinguishing, and general cleaning and maintenance activities at industrial plants and production areas.

Model S61	Hose length in metres				Dimensions in mm W x H x D	Order number
	19mm	25mm	32mm	38mm		
S61/314	0				380 x 740 x 660	153 339
S61/314	30				380 x 740 x 660	153 302
S61/314	40				380 x 740 x 660	153 445
S61/314	50				380 x 740 x 660	153 446
S61/514	0				580 x 740 x 660	153 301
S61/514	60				580 x 740 x 660	153 305
S61/514	70				580 x 740 x 660	153 306
S61/514	80				580 x 740 x 660	153 307
S61/514	90				580 x 740 x 660	153 308
S61/514	100				580 x 740 x 660	153 309
S61/314		0			380 x 740 x 660	153 447
S61/314		30			380 x 740 x 660	153 448
S61/514		0			580 x 740 x 660	153 310
S61/514		40			580 x 740 x 660	153 312
S61/514		50			580 x 740 x 660	153 313
S61/514		60			580 x 740 x 660	153 314
S61/514		70			580 x 740 x 660	153 315
S61/514			0		580 x 740 x 660	153 320
S61/514			30		580 x 740 x 660	153 321
S61/514			40		580 x 740 x 660	153 322
S61/514			50		580 x 740 x 660	153 323
S61/514				0	580 x 740 x 660	153 330
S61/514				20	580 x 740 x 660	153 331
S61/514				25	580 x 740 x 660	153 332
S61/514				30	580 x 740 x 660	153 333

Model S61 is supplied complete with:

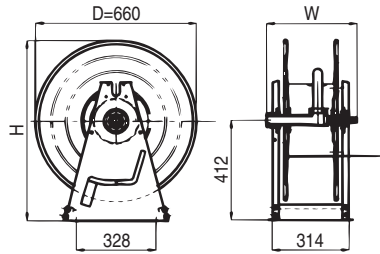
- Hose reel with water supply through centre of reel
- Nozzle 19mm – 25mm: Jet/spray/shut-off nozzle
- Nozzle 32mm: Unifire V12 or equivalent
- Nozzle 38mm: Unifire V14 or equivalent
- Hose: 19mm – 25mm: Special black hose, designed to standard BS EN694 for fire hose reels
- Hose 32mm – 38mm: Semi-rigid hose with 10bar working pressure
- Hose connection 19mm – 25mm: Hose nipple. Spring inserted in the hose for extra rigidity at the connection

- Hose connection 32mm – 38mm: Goose-neck with hose nipple
- Water inlet: 2" BSP male thread
- Hand crank for rewind
- Material:
  - Hose reel: Galvanized steel
  - Waterways: Brass
- Painting: Epoxy/ polyester powder coating
- Colour: RAL 3001 red

## OPTIONS

- 1:3 Gearing device for easy rewind
- Hose guide S61/314
- Hose guide S61/514
- Brake S61

# HOSE REEL 60 BAR WATER PRESSURE



## Model S65

This hose reel is similar to Model S61 but has special waterways making it suitable for use with working pressures up to 60 bar. Supplied for 10mm, 13mm or 19mm diameter hose.

Model S65	Hose length in metres			Dimensions in mm W x H x D	Order number
	10mm	13mm	19mm		
S65/314	0			380 x 740 x 660	153 346
S65/314		0		380 x 740 x 660	153 347
S65/314			0	380 x 740 x 660	153 348

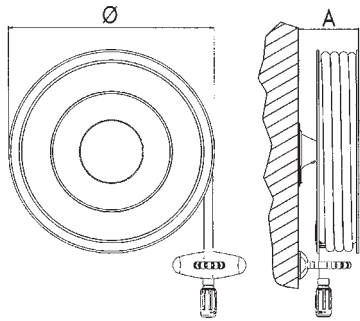
Model S65 is supplied complete with:

- Hose reel with water supply through centre of reel
- Hose connection 10mm: Stainless steel goose-neck with 3/8" BSP male thread
- Hose connection 13mm: Stainless steel goose-neck with 1/2" BSP male thread
- Hose connection 19mm: Goose-neck with 1" BSP male thread
- Water inlet: 2" BSP male thread
- Hand crank for rewind
- Material:
  - Hose reel: Galvanized steel
  - Waterways: Brass
- Painting: Epoxy/ polyester powder coating
- Colour: RAL 3001 red

## OPTIONS

- Gearing device for easy rewind S61/314
- Brake S61

# GENERAL PURPOSE HOSE REEL FOR WALL-MOUNTING



## Model 100

General purpose hose reel equipped with a manual stop valve. The hose reel is supplied with a wall-mounting bracket, which simplifies the installation.

This general purpose hose reel is designed for daily use, and has a handle to simplify rewinding.

The hose reel is suitable for general cleaning and maintenance activities at industrial plants, parks and sports arenas. A general purpose hose reel has to be ordered with the red colour option to be approved as a fire hose reel.

Model 100	Hose length in metres		Dimensions in mm Ø x A	Order number
	19mm	25mm		
100/175	20		Ø600 x 175	155100
100/175	25		Ø600 x 175	155104
100/190	30		Ø600 x 190	155177
100/175		15	Ø600 x 175	155179
100/230		20	Ø600 x 230	155608
100/230		25	Ø600 x 230	155105
100/266		30	Ø600 x 266	155276

Model 100 is supplied complete with:

- Hose reel with side discs powder coated RAL 6024 green
- 1" manual stop valve
- Quick-change coupling system
- Jet/spray/shutoff nozzle
- Special black hose, designed to standard EN694 for fire hose reels

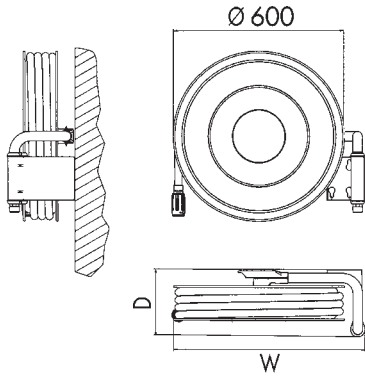
- Wall-mounting bracket
- Roller hose guide allowing the hose to be run out in any direction
- Heavy duty centre parts made of brass
- Adjustable brake
- Clockwise rotation
- Installation instructions

Automatic valve models are available

## OPTIONS

Hose	Colour hose reel
<input type="checkbox"/> Light	<input type="checkbox"/> RAL 3001 Red

# SWINGING GENERAL PURPOSE HOSE REEL FOR WALL-MOUNTING



## Model 100SW

General purpose hose reel equipped with a manual stop valve, mounted on a swinging arm with internal waterways which swings 180° so that the hose can be run out in all directions. The hose reel is supplied with a mounting template, which simplifies the installation.

This general purpose hose reel is designed for daily use, and has a handle to simplify rewinding.

The hose reel is suitable for general cleaning and maintenance activities at industrial plants, parks and sports arenas. A general purpose hose reel has to be ordered with the red colour option to be approved as a fire hose reel.

Model 100SW	Hose length in metres		Dimensions in mm W x H x D	Order number
	19mm	25mm		
100SW/235	25		675 x 660 x 235	155106
100SW/235	30		675 x 660 x 235	155271
100SW/235		25	675 x 660 x 235	155107
100SW/235		30	675 x 660 x 235	155272

Model 100SW is supplied complete with:

- Hose reel with side discs powder coated RAL 6024 green
- 1" manual stop valve
- Quick-change coupling system
- Jet/spray/shut-off nozzle
- Special black hose, designed to standard EN694 for fire hose reels

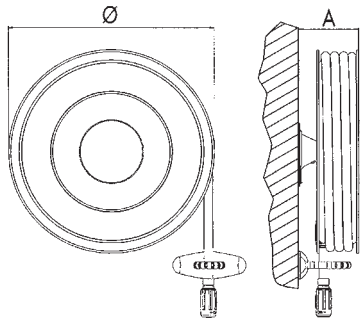
- Swinging arm with waterways, hinge on right hand side
- Heavy duty centre parts made of brass
- Adjustable brake
- Installation instructions

Automatic valve models are available

## OPTIONS

Hose	Hinge side	Colour hose reel
<input type="checkbox"/> Light	<input type="checkbox"/> Left	<input type="checkbox"/> RAL 3001 Red

# GENERAL PURPOSE HOSE REEL FOR WALL-MOUNTING IN CORROSIVE ENVIRONMENT



## Model 110

General purpose hose reel equipped with a manual stop valve. The hose reel is supplied with a wall-mounting bracket, which simplifies the installation.

This general purpose hose reel is designed for daily use, and has a handle to simplify rewinding.

The hose reel is suitable for general cleaning and maintenance activities at industrial plants, commercial buildings, parks and sports arenas. A general purpose hose reel has to be ordered with the red colour option to be approved as a fire hose reel.



Model 110	Hose length in metres		Dimensions in mm W x H x D	Order number
	19mm	25mm		
110/175	25		Ø600 x 175	155600
110/190	30		Ø600 x 190	155604
110/230		25	Ø600 x 230	155601
110/230		30	Ø600 x 230	155605

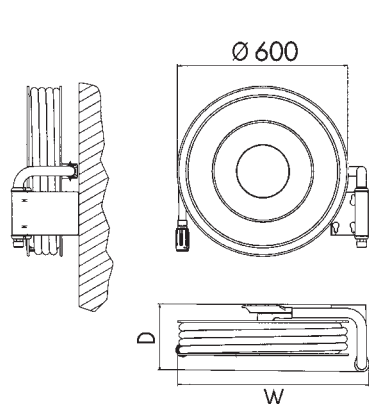
Model 110 is supplied complete with:

- Hose reel with side discs stainless steel powder coated RAL 6024 green
- 1" manual stop valve
- Quick-change coupling system
- Jet/spray/shut-off nozzle
- Special black hose, designed to standard BS EN694 for fire hose reels
- Wall-mounting bracket
- Roller hose guide allowing the hose to be run out in any direction
- Heavy duty centre parts made of brass with extra corrosion protection
- Adjustable brake
- Clockwise rotation
- Installation instructions

## OPTIONS

Hose	Colour hose reel
<input type="checkbox"/> Light	<input type="checkbox"/> RAL 3001 Red

# SWINGING GENERAL PURPOSE HOSE REEL FOR WALL-MOUNTING IN CORROSIVE ENVIRONMENT



## Model 110SW

General purpose hose reel equipped with a manual stop valve, mounted on a swinging arm with internal waterways which swings 180° so that the hose can be run out in all directions. The hose reel is supplied with a mounting template, which simplifies the installation.

This general purpose hose reel is designed for daily use, and has a handle to simplify rewinding.

The hose reel is suitable for general cleaning and maintenance activities at industrial plants, commercial buildings, parks and sports arenas. A general purpose hose reel has to be ordered with the red colour option to be approved as a fire hose reel.

Model 110SW	Hose length in metres		Dimensions in mm W x H x D	Order number
	19mm	25mm		
110SW/230	25		675 x 660 x 230	155602
110SW/230	30		675 x 660 x 230	155610
110SW/230		25	675 x 660 x 230	155603
110SW/230		30	675 x 660 x 230	155611

Model 110SW is supplied complete with:

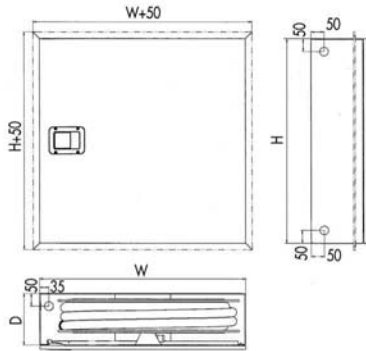
- Hose reel with side discs stainless steel powder coated RAL 6024 green
- 1" manual stop valve
- Quick-change coupling system
- Jet/spray/shut-off nozzle
- Special black hose, designed to standard BS EN694 for fire hose reels
- Swinging arm with internal waterways, hinged on right hand side
- Heavy duty centre parts made of brass with extra corrosion protection
- Adjustable brake
- Installation instructions

## OPTIONS

Hose	Hinge side	Colour hose reel
<input type="checkbox"/> Light	<input type="checkbox"/> Left	<input type="checkbox"/> RAL 3001 Red



# INDUSTRIAL HOSE REEL AND CABINET FOR WALL-MOUNTING



## Model 300

General purpose hose reel equipped with a manual stop valve. The reel is mounted on the door which swings 180°. The reel can easily be removed from the cabinet during installation, so that one man can install the cabinet.

This general purpose hose reel is designed for daily use.

The hose reel is suitable for general cleaning and maintenance activities at industrial plants, parks and sports arenas. This general purpose hose reel is also approved as a fire hose reel.

Model 300	Hose length in metres		Dimensions in mm W x H x D	Order number
	19mm	25mm		
300/160	20		695 x 695 x 160	555223
300/160	25		695 x 695 x 160	555224
300/160	30		695 x 695 x 160	555225
300/285		20	695 x 695 x 285	555226
300/285		25	695 x 695 x 285	555227
300/285		30	695 x 695 x 285	555228
<b>Trime Frame for recess-mounting</b>			695 x 695	555203

Model 300 is supplied complete with:

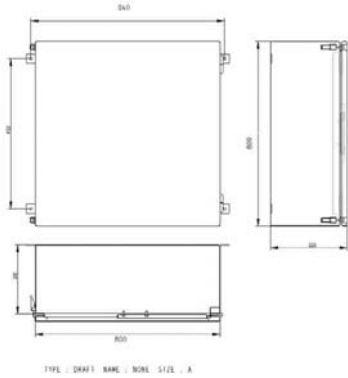
- General purpose hose reel model 100 with side discs powder coated finish RAL 3001 red
- 1" manual stop valve
- Quick-change coupling system
- Jet/spray/shut-off nozzle
- Special black hose, designed to standard BS EN694 for fire hose reels
- Special supply hose
- Centre parts made of brass
- Adjustable brake
- Hinges on right hand side
- Stainless steel door catch/release handle, especially constructed for use at industrial sites
- Ø35mm knockouts for inlet pipework on 3 sides
- Removable back wall, made of galvanized steel; can be used as a mounting template
- Cabinet, except back wall, powder coated RAL 3001 red
- Door sign in accordance with Council Directive 92/58/EEC
- Installation instructions

Hose reels are tested, approved and CE-marked according to BS EN671-1

## OPTIONS

<b>Trim frame for recess-mounting</b>	<b>Hinge side</b>
<input type="checkbox"/>	<input type="checkbox"/> Left

# NOHA CABINET FOR GENERAL PURPOSE HOSE REELS



## Model 136

In some locations, general purpose hose reels should be mounted in cabinets. This cabinet is made of stainless steel, has a swinging arm for the reel and is designed to house hose reels models 100 and 110.

For mounting outdoors, the cabinet can be insulated and equipped with a 200W thermostat-controlled heating element to prevent the cabinet from freezing – right down to -35°C (measured at zero wind speed).

Model 136	Dimensions in mm Ø x A	Order number
136/330	800 x 800 x 330	156 093

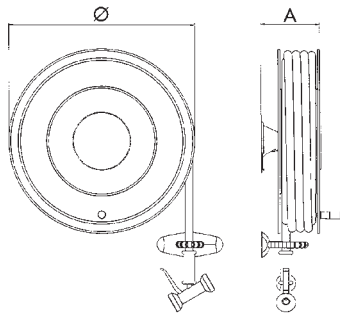
Model 136 is supplied complete with:

- Cabinet made of stainless steel
- Door equipped with a rubber collar and hinges on right hand side
- Twin throw-over door catches
- Cabinet powder coated RAL 9010 white
- Door sign in accordance with Council Directive 92/58/EEC
- Installation instructions

## OPTIONS

Colour cabinet	Hinge side	Below zero temperatures
<input type="checkbox"/> RAL 3001 Red	<input type="checkbox"/> Left	<input type="checkbox"/> Insulation and thermostatically controlled heating element

# GENERAL PURPOSE HOSE REEL FOR HOT WATER UP TO 80°C



## Model 120

General purpose hose reel equipped with a manual stop valve and a wall-mounting bracket, which simplifies the installation. This general purpose hose reel is designed to withstand arduous industrial use or long term daily use and has a handle to simplify rewinding. The spray nozzle has a pistol grip which automatically stops the flow of water when released. The hose is odour-free and does not affect the taste of food, nor does it deposit any particles in the water.

The hose reel is suitable for general cleaning purposes in the food industry and in commercial kitchens where water up to 80°C is used at a maximum of 10 bar, or anywhere where cleaning equipment is subject to stringent hygiene requirements. This hose reel is not designed to transfer foodstuffs.

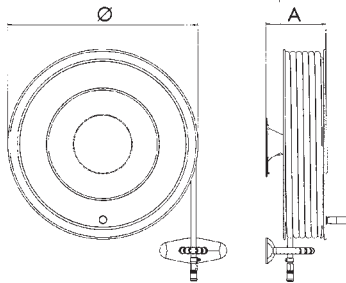
Model 120	Hose length in metres		Dimensions in mm Ø x A	Order number
	13mm	19mm		
120/140	16		Ø600 x 140	155620
120/140	25		Ø600 x 140	155621
120/150		16	Ø600 x 150	155622
120/175		25	Ø600 x 175	155623

Model 120 is supplied complete with:

- Hose reel with stainless steel side discs powder coated RAL 9010 white
- 1" manual stop valve
- Quick-change coupling system
- Nozzle with insulation, and automatic stop of water flow when released
- Special blue hose for hot water suitable for food industry use
- Bracket for wall-mounting
- Roller hose guide allowing the hose to be run out in any direction
- Centre parts made of brass with special corrosion protection
- Adjustable brake
- Clockwise rotation
- Installation instructions



# GENERAL PURPOSE HOSE REEL FOR COMPRESSED AIR 8 BAR



## Model 150

General purpose hose reel without stop valve, supplied with a wall-mounting bracket which simplifies the installation.

This general purpose hose reel is made for daily use and has a practical handle to simplify rewinding.

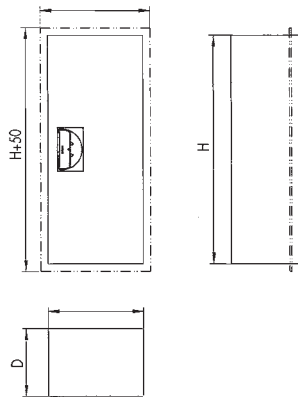
The Model 150 hose reel is suitable for use at industrial plants, in workshops or maintenance departments, or other applications where compressed air is used. The reel affords a high flow rate.

Model 150	Hose length in metres		Dimensions in mm Ø x A	Order number
	13mm			
150/140	20		Ø600 x 140	155650
150/140	30		Ø600 x 140	155651

Model 150 is supplied complete with:

- Hose reel with side discs powder coated RAL 6024 green
- Black hose for compressed air
- Snapfit connector suitable for connecting to the Hansen series 3000
- Bracket for wall-mounting
- Roller hose guide allowing the hose to be run out in any direction
- Centre parts made of brass
- Adjustable brake
- Clockwise rotation
- Installation instructions

# FIRE EXTINGUISHER CABINET FOR WALL-MOUNTING OR RECESS-MOUNTING



The same cabinet is used for wall-mounting and recess-mounting. The trim frame for recess-mounting is ordered separately.

### Model 3/EXT

Model 3/EXT is suitable for storing a fire extinguisher or other equipment. The design and dimensions match other NOHA models.

Model 3/EXT	Dimensions in mm W x H x D	Order Number
3/EXT230	305 x 695 x 230	555190
3/EXT285	305 x 695 x 285	555191
3/EXT230	305 x 795 x 230	555192
3/EXT285	305 x 795 x 285	555193
3/EXT230	695 x 695 x 230	555342
3/EXT285	695 x 695 x 285	555343
<b>Trim frame for recess-mounting</b>	305 x 695	555200
	305 x 795	555201
	695 x 695	555203

Model 3/EXT is supplied complete with:

- Hinges on right hand side
- Door catch/release handle
- Removable back wall, made of galvanized steel; can be used as a mounting template.

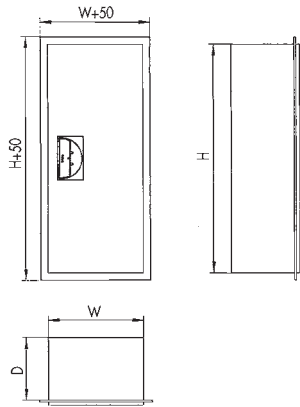
- Cabinet, except back wall, powder coated RAL 9010, white
- Door sign in accordance with Council Directive 92/58/EEC
- Installation instructions

Fire extinguishers are not included

### OPTIONS

Colour cabinet	Door for manual call point	Trim frame for recess-mounting
<input type="checkbox"/> RAL 3001 Red <input type="checkbox"/> RAL_ (Smooth surface) <input type="checkbox"/> Door with vision panel	<input type="checkbox"/> 90x90 <input type="checkbox"/> 130x130	<input type="checkbox"/>

# FIRE EXTINGUISHER CABINET FOR RECESS-MOUNTING DOOR AND FRAME BRUSHED STAINLESS STEEL



### Model 3/EXT

Cabinet for storing a fire extinguisher or other equipment. The design and dimensions match other NOHA models.

Model 3/EXT	Dimensions in mm W x H x D	Order number
3/EXT230	305 x 695 x 230	555194
3/EXT285	305 x 695 x 285	555195
3/EXT230	305 x 795 x 230	555196
3/EXT285	305 x 795 x 285	555197
3/EXT230	795 x 795 x 230	555344
3/EXT285	795 x 795 x 285	555345

Model 3/EXT is supplied complete with:

- Hinges on right hand side
- Door and frame brushed stainless steel
- Door catch/release handle
- Cabinet and back wall powder coated RAL 9010, white

- Double 45° wall sign in accordance with Council Directive 92/58/EEC
- Installation instructions

Fire extinguishers are not included

### OPTIONS

#### Door and frame

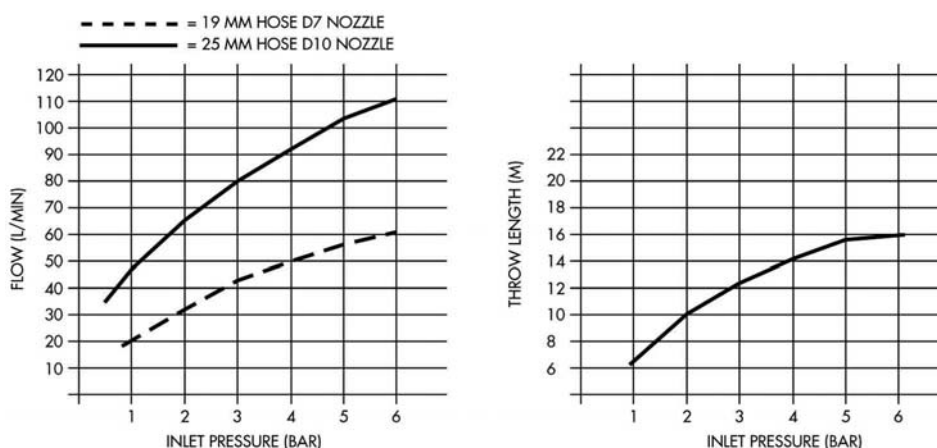
- Polished stainless steel
- Brushed stainless steel with vision panel
- Polished stainless steel with vision panel
- Full vision door

#### Door for manual call point

- 90x90
- 130x130

# CAPACITY AND THROW LENGTHS

Pressure at inlet to stop valve, measured with flowing water. Valid for hose reels with maximum 30m hose.



## TECHNICAL DATA EN671-1 hose reels

Productgroup	Floor-mounted hose reel		Hose reel in floor mounted cabinet		Wall-mounted hose reel		Hose reel in cabinet	
	Manual valve	Automatic valve	Manual valve	Automatic valve	Manual valve	Automatic valve	Manual valve	Automatic valve
<b>Materials</b>								
<b>Hose reel:</b>								
Side disc : 1mm steel, paint finish 70 micron	x	x	x	x	x	x	x	x
Other steel parts : galvanized plate, no paint finish	x	x	x	x	x	x	x	x
Center parts : brass/ plastic	x	x	x	x	x	x	x	x
Water inlet : 1" BSPM								
Water inlet : 3/4" BSPF		x				x		x
Water inlet : 1" BSPF	x		x		x		x	
Valve : Ball valve 1" BSPF	x				x			
Valve : Sector valve 1" BSPF			x				x	
Hose : PVC	x	x	x	x	x	x	x	x
Waterpressure max : 1,2 Mpa	x	x	x	x	x	x	x	x
<b>Cabinet:</b>								
Steel parts : 1,5mm steelplate, paint finish 70 micron			x	x			x	x
Back wall : 0,8mm galvanized plate, no paint finish		x	x			x	x	
Door lock : Plastic/composite			x	x			x	x
Hinges : Plastic/composite			x	x			x	x
Frame: 5mm square tube, paint finish 70micron			x	x				
Pedestal: 1.5mm steelplate, paint finish 70micron	x	x						

Productgroup	Wall-mounted hose reel with swinging arm		Hose reel with swinging arm in cabinet	
	Manual valve	Automatic valve	Manual valve	Automatic valve
<b>Materials</b>				
<b>Hose reel:</b>				
Side disc : 1mm steel, paint finish 70 micron	x	x	x	x
Other steel parts : galvanized plate, no paint finish	x	x	x	x
Center parts : brass/ plastic	x	x	x	x
Water inlet : 1" BSPM	x	x	x	x
Water inlet : 3/4" BSPF				
Water inlet : 1" BSPF				
Valve : Ball valve 1" BSPF				
Valve : Sector valve 1" BSPF	x		x	
Hose : PVC	x	x	x	x
Waterpressure max : 1,2 Mpa	x	x	x	x
<b>Cabinet:</b>				
Steel parts : 1,5mm steelplate, paint finish 70 micron			x	x
Back wall : 0,8mm galvanized plate, no paint finish			x	x
Door lock : Plastic/composite			x	x
Hinges : Plastic/composite			x	x
Frame: 5mm square tube, paint finish 70micron				
Pedestal: 1.5mm steelplate, paint finish 70micron				



## THE WORLD'S LEADING MANUFACTURER OF HOSE REELS AND CABINETS

Kidde Products Ltd is a part of UTC Fire & Security, a division of the worldwide United Technologies Corporation, which includes Sikorsky Helicopters, Pratt & Whitney, Otis Elevators and Carrier Air Conditioning.

Kidde Products has grown to become a major force in the worldwide safety business, with around 50 operating units in 20 countries and a 6,600-strong workforce.

The name Kidde came from Walter Kidde, the founding father of the US business. The name was adopted for the group because it was a brand name with a world wide reputation.

Kidde group companies have been manufacturing hose reels since 1950. Kidde has built up an unrivalled knowledge base in these products. A focus on the quality aspect and the ability to introduce new ideas has made Kidde the preferred supplier of hose reels and cabinets all over Europe, the Middle East and the rest of the developed world. A modern factory with the latest computer technology enables Kidde to make a range of products to the appropriate European Standards in an environmentally friendly and quality conscious environment. The combined efforts of highly qualified and experienced staff and operatives give the Kidde product a unique quality that is well known and respected worldwide.

The Kidde manufacturing facility is certified to ISO9001: 2000. All hose reels carry the CE mark confirming their compliance to the EU and many other standards.

Kidde hose reels are tested, approved, certified and CE-marked through an approved accreditation organization to EN671-1 for hose reels with semi-rigid hose.

## WHAT ABOUT THE FUTURE?

Kidde has a programme of continuous development work to be able to serve you with even better products. Regarding quality, there is no compromise. Kidde products will always be at the forefront of design and performance giving a total capability in any situation.

## GUARANTEE – SERVICE AND MAINTENANCE

Kidde offers a 5 year guarantee provided that the building owner or user fulfils the installation requirements and carries out documented annual service as specified in the Kidde service specifications and in EN671-3, the service part of the hose reel standard.